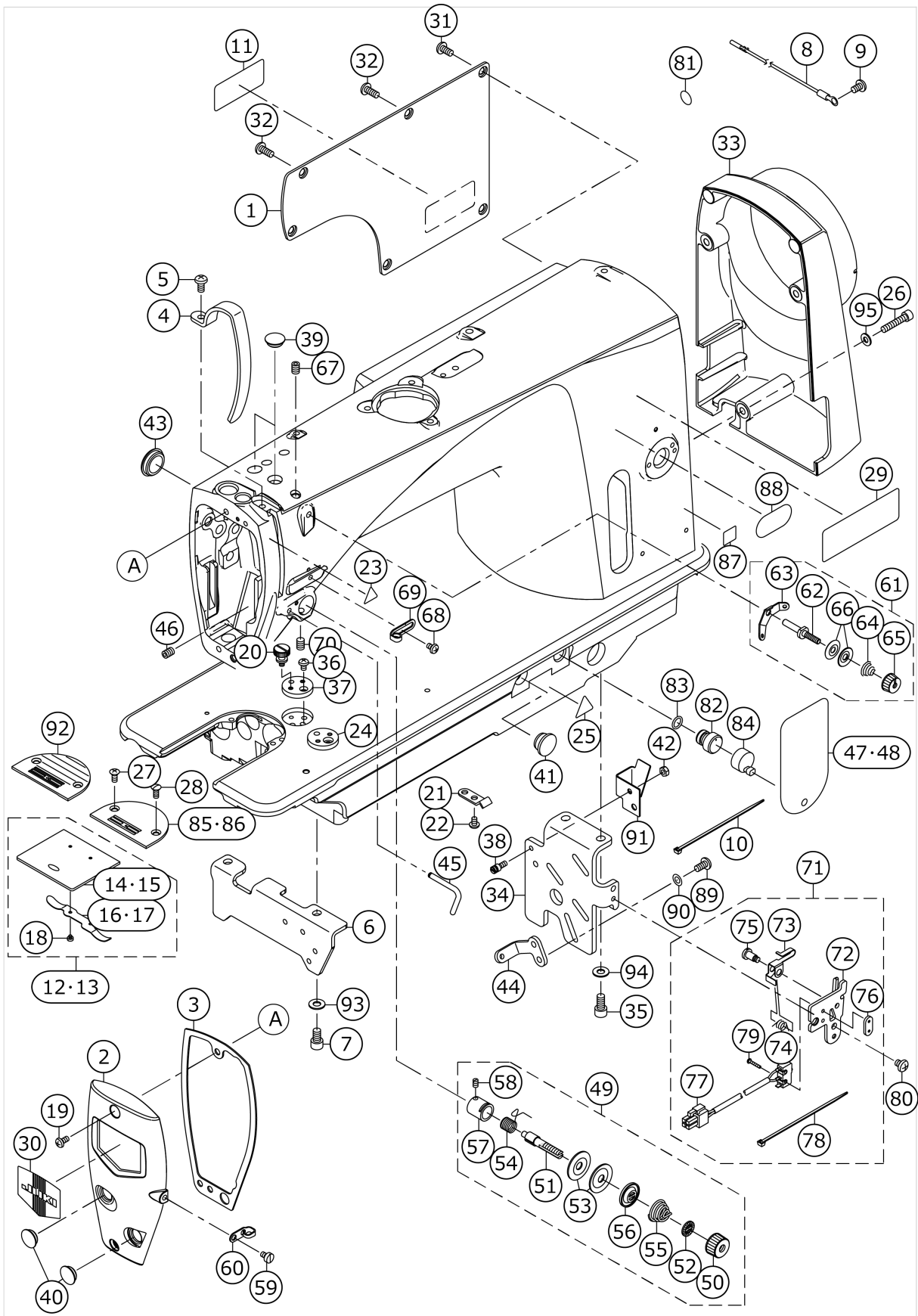


DDL-9000B

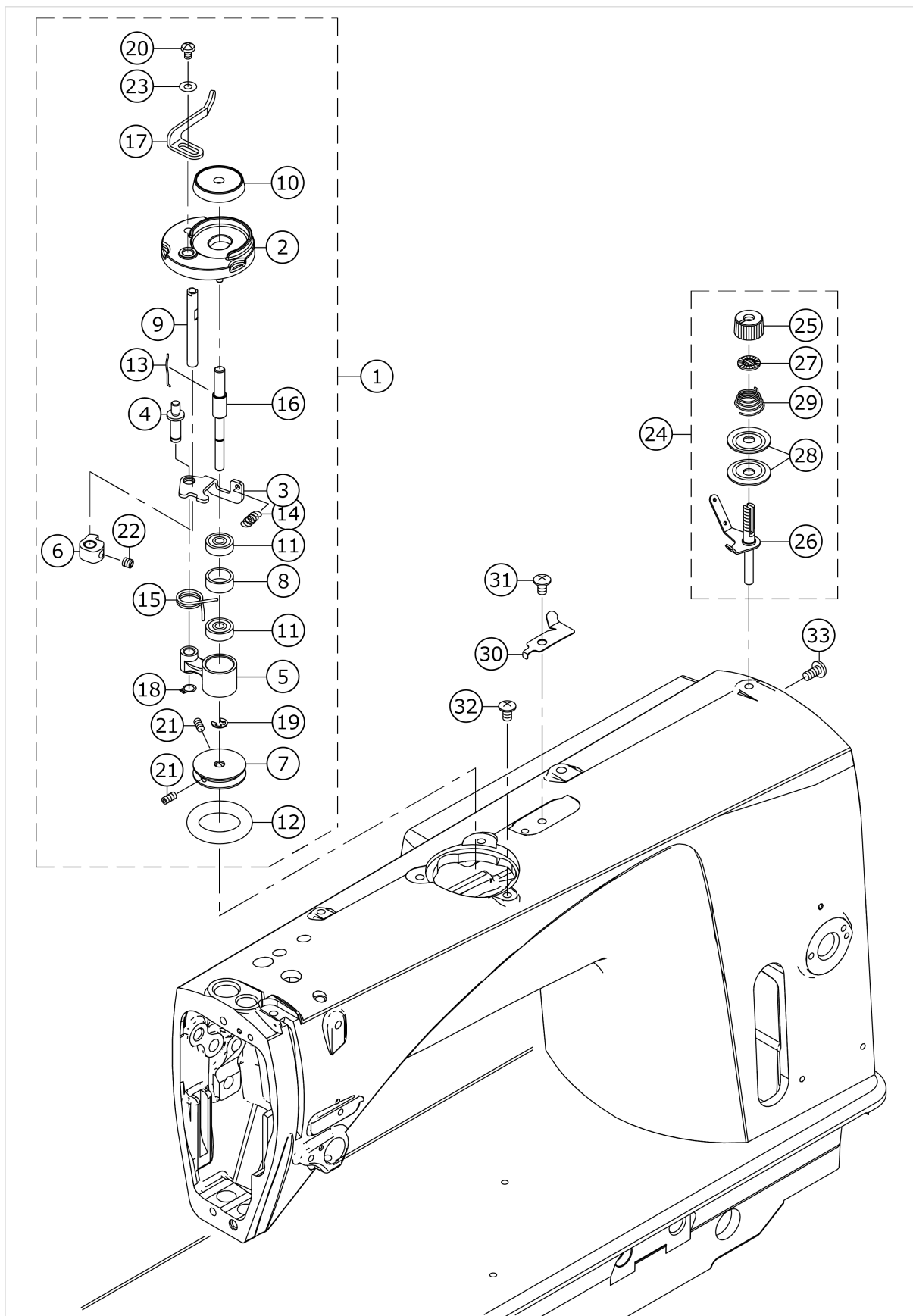
MACHINE FRAME & MISCELLANEOUS COVER COMPONENTS



No.	品番	品名	備考	子部品	消耗品	個数
1	40037158	SIDE PLATE				1.00
2	40041161	FACE PLATE				1.00
3	40052819	FACE PLATE PACKING				1.00
4	23600505	THREAD TAKE-UP LEVER COVER				1.00
5	SM4051055SP	SCREW				1.00
6	40086713	BED_STUD_A				1.00
7	SM6061002TP	SCREW M6 L=10				2.00
8	22951552	GROUND WIRE ASM.				1.00
9	SM4050855SP	SCREW				1.00
10	EA9500B0100	CABLE BAND				1.00
11	40094561	SEWING MACHINE LABEL (EU)	FOR BB			1.00
12	22901250	SLIDE PLATE ASM.	FOR BB,EE			1.00
13	22902753	SLIDE PLATE ASM.	FOR AA,GG			1.00
14	22901201	SLIDE PLATE		*		1.00
15	22902704	SLIDE PLATE		*		1.00
16	22901300	SLIDE PLATE SPRING		*		1.00
17	22901300	SLIDE PLATE SPRING		*		1.00
18	SS6060210SP	SCREW 3/32-56 L=1.9		*		2.00
19	SM4050855SP	SCREW				2.00
20	40069110	ATTACHMENT FIXATION SCREW	OPTIONAL PARTS			1.00
21	22944508	WIRE PRESSER A				1.00
22	SM4040855SP	SCREW				1.00
23	CM300200001	ATTENTION SEAL				1.00
24	40069097	RULER PLATE I	OPTIONAL PARTS			1.00
25	CM300200003	ATTENTION LABEL				1.00
26	SM6052502TP	SCREW M5X25				3.00
27	SM2040955TP	SCREW M4 L=8.5				1.00
28	SM2040750TP	SCREW M4 L=7.4				1.00
29	CM301300001	SAFETY LABEL				1.00
30	22902506	FACE PLATE				1.00
31	SM4051055SP	SCREW				4.00
32	SM4051255SP	SCREW M5 L=12				2.00
33	40086732	PULLEY_COVER				1.00
34	40086714	BED_STUD_B				1.00
35	SM6061202TP	SCREW M6 L=12				2.00
36	SM4040655SP	SCREW M4 L=6				1.00
37	40035589	RULER PLATE				1.00
38	40091461	FEED LEVER SPRING HOOK				1.00
39	TA1250406R0	RUBBER PLUG D=12.5 L=4				2.00
40	TA1250406R0	RUBBER PLUG D=12.5 L=4				2.00
41	TA1470704R0	RUBBER PLUG				1.00
42	NM6040001SP	NUT M4X0.7				1.00
43	TA1250406R0	RUBBER PLUG D=12.5 L=4				1.00
44	40114043	FEED_ADJUSTING_SPRING_PLATE				1.00
45	40052933	ARM THREAD GUIDE C				1.00
46	SM80608A2TP	SCREW M6 L=8				1.00
47	23640006	SHEET				1.00
48	40037488	SHEET	FOR GG			1.00
49	40086639	THREAD_TENSION_DISK_ASM.				1.00
50	23626005	THREAD TENSION NUT		*		1.00

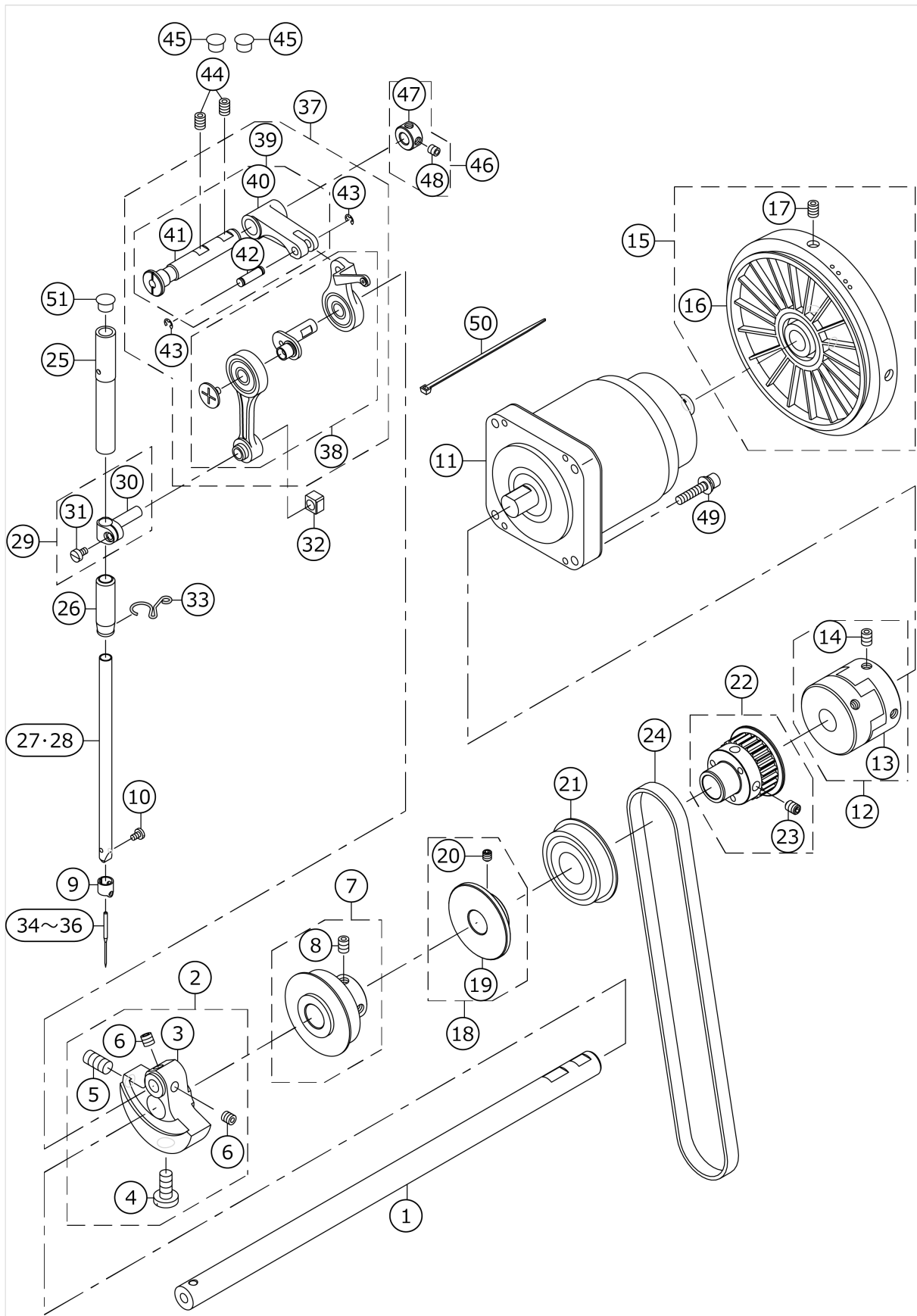
51	22921209	THREAD TENSION POST		*		1.00
52	22921407	ROTATION STOPPER		*		1.00
53	22921506	THREAD TENSION DISK		*		2.00
54	22921605	THREAD TAKE-UP SPRING		*		1.00
55	22921704	THREAD TENSION SPRING A		*		1.00
56	22921803	DISK STOPPER		*		1.00
57	40086640	TENSION_POST_SOCKET_ASM.		*		1.00
58	SS8090670SP	SCREW 9/64-40 L=5.5		*		1.00
59	SS6110610TP	SCREW 11/64-40 L=6				1.00
60	22920607	ARM THREAD GUIDE B				1.00
61	22963458	THREAD TENSION ASM.				1.00
62	22945414	THREAD TENSION POST		*		1.00
63	22945604	THREAD TENSION GUIDE		*		1.00
64	22963409	THREAD TENSION SPRING		*		1.00
65	22945703	THREAD TENSION NUT		*		1.00
66	22945802	THREAD TENSION DISK		*		2.00
67	SM80608A2TP	L=8SCREW M6 L=8				1.00
68	SM5040655SN	SCREW				1.00
69	23626104	ARM THREAD GUIDE A				1.00
70	SM80608A2TP	L=8SCREW M6 L=8				1.00
71	40086659	SAFETY_SWITCH_ASM.				1.00
72	40086660	SAFETY_SWITCH_BASE		*		1.00
73	23638109	SAFETY SWITCH ARM		*		1.00
74	23638208	SAFETY SWITCH SPRING		*		1.00
75	23638307	SAFETY SWITCH ARM SHAFT		*		1.00
76	23638406	SAFETY SWITCH NUT		*		1.00
77	40098386	SAFETY_SWITCH_CORD_ASM.		*		1.00
78	EA9500B0100	CABLE BAND		*		1.00
79	SM4021201SC	SCREW M2 L=12		*		2.00
80	SM4050655SP	SCREW M5 L=6				1.00
81	22901805	GROUND MARK				1.00
82	23629900	AIR-DISCHARGING				1.00
83	RO080150200	RUBBER RING				1.00
84	23601305	AIR-DISCHARGING CAP				1.00
85	B1109012I0B	THROAT PLATE (I)	FOR AA,BB			1.00
86	11028008	THROAT PLATE	FOR EE			1.00
87	CM600100101	WEEE MARK LABEL S	FOR BB			1.00
88	CM600600101	CHINA ENVIRONMENT LABEL	FOR GG			1.00
89	SM4051055SP	SCREW				2.00
90	WP0550800SP	WASHER 5.5X10X0.8				2.00
91	40091397	CABLE COVER				1.00
92	B1109552000	THROAT PLATE	FOR GG			1.00
93	WP0621016SD	WASHER 6.2X13X1				2.00
94	WP0621016SD	WASHER 6.2X13X1				2.00
95	WP0501016SD	WASHER 5X10.5X1				3.00

BOBBIN WINDER COMPONENTS



No.	品番	品名	備考	子部品	消耗品	個数
1	40023021	BOBBIN WINDER UNIT				1.00
2	26260109	BTW_BASE		*		1.00
3	26260208	BTW_CAM_PLATE		*		1.00
4	26260307	BTW_BASE_SHAFT		*		1.00
5	26260406	BTW_SHAFT_BASE		*		1.00
6	26260505	BTW_CAM_LEVER		*		1.00
7	26260604	BTW_WHEEL		*		1.00
8	26260802	BTW_BEARING_SPACER		*		1.00
9	26261008	BTW_LEVER_SHAFT		*		1.00
10	26261206	BTW_SPACER		*		1.00
11	26261305	BTW_BEARING		*		2.00
12	26261503	BTW_WHEEL_RUBBER		*		1.00
13	26261602	BOBBIN_SPRING		*		1.00
14	26261701	BTW_SPRING		*		1.00
15	40011144	BTW_TORSION_SPRING		*		1.00
16	40014837	BTW_SHAFT		*		1.00
17	40023022	BTW LEVER		*		1.00
18	RC0560711KP	RETAINING RING		*		1.00
19	RE0400000K0	E-RING 4		*		1.00
20	SM5040655SN	SCREW		*		1.00
21	SM8040802TP	SCREW M4X8		*		2.00
22	SM8050502TP	SCREW M5 L=5		*		1.00
23	WP0450826SC	WASHER 4.5X10X0.8		*		1.00
24	40088958	BOBBIN THREAD TENSION ASM.				1.00
25	22921308	THREAD TENSION NUT		*		1.00
26	40088959	BOBBIN THREAD TENSION ROD ASM.		*		1.00
27	22921407	ROTATION STOPPER		*		1.00
28	22921506	THREAD TENSION DISK		*		2.00
29	22921704	THREAD TENSION SPRING A		*		1.00
30	40037008	THREAD_CUTTER				1.00
31	SM0050801SC	SCREW				1.00
32	SM0050801SC	SCREW				3.00
33	SM4051055SP	SCREW				1.00

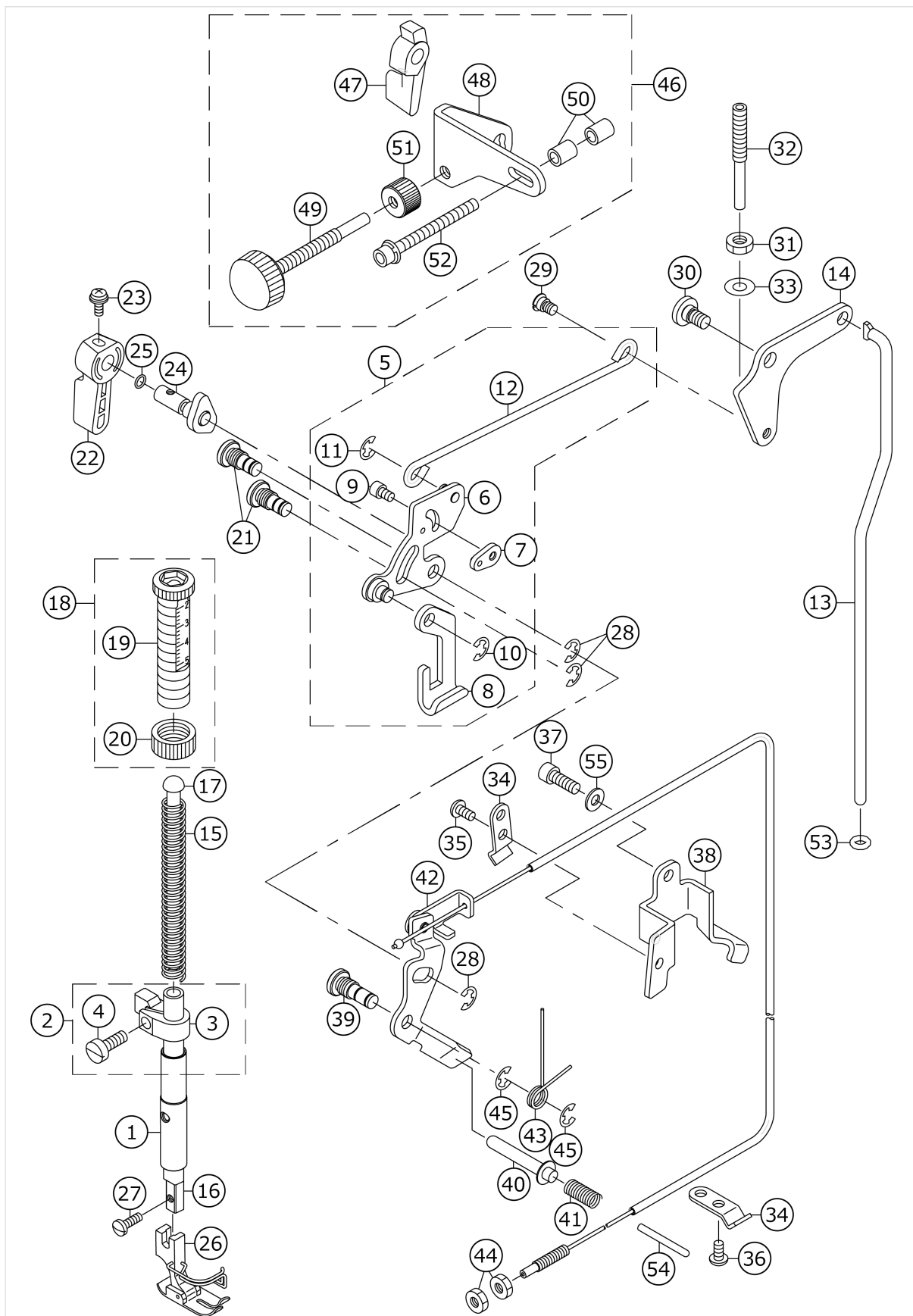
MAIN SHAFT & NEEDLE BAR COMPONENTS



No.	品番	品名	備考	子部品	消耗品	個数
1	40086597	MAIN_SHAFT				1.00
2	40135904	ASSY_COUNTER WEIGHT				1.00
3	40135916	COUNTER WEIGHT		*		1.00
4	40004171	COUNTER_WEIGHT_SCREW		*		1.00
5	SM8081652TP	SCREW M8 L=16		*		1.00
6	SM80606A2TP	6SCREW M6 L=6		*		2.00
7	40150011	FRONT_BEARING				1.00
8	SM80608A2TP	SCREW M6 L=8		*		2.00
9	22906309	NEEDLE BAR THREAD GUIDE				1.00
10	SS7080510TP	SCREW 1/8-44 L=4.5				1.00
11	40089196	AC SERVO MOTOR				1.00
12	40051473	COUPLING ASM.				1.00
13	40051474	COUPLING		*		1.00
14	SM80608A2TP	SCREW M6 L=8		*		4.00
15	40037007	HAND WHEEL ASM.				1.00
16	40037006	HAND WHEEL		*		1.00
17	SM80608A2TP	SCREW M6 L=8		*		2.00
18	40136292	BTW_DRIVING_WHEEL_ASM				1.00
19	40136293	BTW_DRIVING_WHEEL		*		1.00
20	SM80506A2TP	SCREW M5 L=6		*		2.00
21	SB120002700	BEARING				1.00
22	40141440	UPPER SPROCKET ASM.				1.00
23	SM80608A2TP	SCREW M6 L=8		*		2.00
24	40086731	TIMING_BELT_550				1.00
25	23608003	NEEDLE BAR METAL UPPER				1.00
26	40107707	NEEDLE_BAR_METAL_LOWER				1.00
27	22886907	NEEDLE BAR (A)	FOR EE,AA,GG			1.00
28	22887004	NEEDLE BAR (B)	FOR BB			1.00
29	22906457	NEEDLE BAR HOLDER ASM.				1.00
30	22906408	NEEDLE ROD HOLDER		*		1.00
31	SS6090670TP	SCREW 9/64-40 L=6		*		1.00
32	40090058	SLIDE BLOCK				1.00
33	23626203	NEEDLE BAR THREAD GUIDE				1.00
34	MDB100B1100	NEEDLE DBX1 #11	FOR EE,AA			1.00
35	MC200500750	NEEDLE 134 NM75	FOR BB			1.00
36	MDB100B1400	NEEDLE DBX1 #14	FOR GG			1.00
37	40135900	THREAD TAKE UP COMPL.				1.00
38	40135905	THREAD_TAKE_UP_ASM_C		*		1.00
39	40141165	TAKE_UP_CRANK_ASM		*		1.00
40	40135906	TAKE_UP_CRANK		*		1.00
41	40143184	TAKE_UP_CRANK_SHAFT		*		1.00
42	40135907	THREAD_TAKE_UP_PIN		*		1.00
43	RE0300000K0	E-RING 3		*		2.00
44	SM80608A2TP	SCREW M6 L=8				2.00
45	TA0850604R0	RUBBER PLUG				2.00
46	40032269	THRUST COLLAR				1.00
47	CS1000881TP	THRUST COLLAR		*		1.00
48	SM8050412TP	SCREW M5 L=4		*		2.00
49	SL6052592TN	BOLT				4.00
50	EA9500B0100	CABLE BAND				2.00

51	TA0850604R0	RUBBER PLUG				1.00
----	-------------	-------------	--	--	--	------

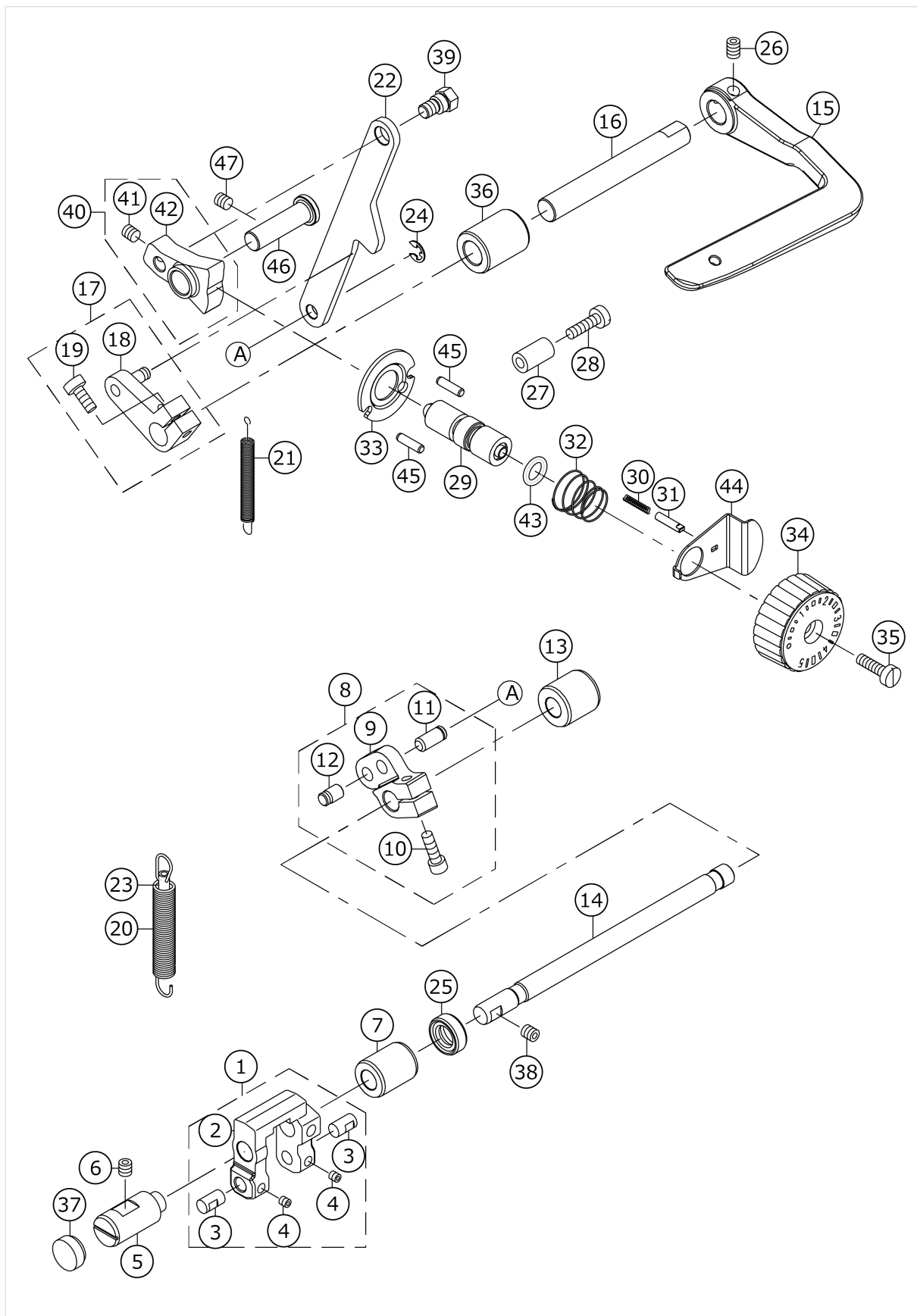
HAND LIFTER & TENSION RELEASE COMPONENTS



No.	品番	品名	備考	子部品	消耗品	個数
1	40136700	PRESSER_BAR_BUSHING				1.00
2	40086606	PRESSER_BAR_GUIDE_BRACKET_ASM.				1.00
3	40086607	PRESSER_BAR_GUIDE_BRACKET		*		1.00
4	SM6051400SP	SCREW		*		1.00
5	23609357	LIFTING_LEVER_CONNECT_ROD_ASM.				1.00
6	23609456	LIFTING_LINK_COMPL.		*		1.00
7	23609605	PLATE		*		1.00
8	22908008	LIFTING_PLATE		*		1.00
9	SM6040602TP	SCREW M4 L=6		*		1.00
10	RE0500000K0	E-RING		*		1.00
11	RE0500000K0	E-RING		*		1.00
12	23609308	LIFTING_LEVER_CONNECT_ROD		*		1.00
13	40086760	CONNECTING_ROD				1.00
14	23609704	LIFTING_LEVER_LINK				1.00
15	22907406	PRESSER_SPRING				1.00
16	23610207	PRESSER_BAR				1.00
17	23610306	PRESSER_GUIDE_BAR				1.00
18	40037359	PRESSER_SPRING_REGURATOR_ASM.				1.00
19	40037141	PRESSER_SPRING_REGULATOR		*		1.00
20	40037144	PRESSER_SPRING_REGULATOR_NUT		*		1.00
21	40050583	LINK_SHAFT				2.00
22	22907802	HAND_LIFTER				1.00
23	B1521555000	SCREW				1.00
24	22908552	HAND_LIFTER_CAM_ASM.				1.00
25	RO037180100	RUBBER_RING				1.00
26	B15240120BA	PRESSER_FOOT_ASM.				1.00
27	SS7091110TP	SCREW 9/64-40 L=10.5				1.00
28	RE0500000K0	E-RING				3.00
29	22908909	HINGE_SCREW				1.00
30	40082078	SHOULDER_SCREW D=7.24 H=3.3				1.00
31	NM6060003SE	NUT_FOR_BRACKET				1.00
32	40036706	ADJUSTING_SCREW				1.00
33	WP0621016SD	WASHER 6.2X13X1				1.00
34	22944508	WIRE_PRESSER_A				2.00
35	SM4040855SP	SCREW				1.00
36	SM4040855SP	SCREW				1.00
37	SM6051402TP	SCREW M5X0.8 L=14				1.00
38	40086643	WIRE_HOLDER				1.00
39	40050582	TENSION_RELEASE_SHAFT				1.00
40	22920300	THREAD_RELEASE_SUPPORTING_PIN				1.00
41	22920409	THREAD_RELEASE_PIN_SPRING				1.00
42	23626351	THREAD_TENSION_RELEASE_WIRE				1.00
43	23626807	TENSION_RELEASE_RETURN_SPRING				1.00
44	NS6620310SP	NUT 3/16-32				2.00
45	RE0500000K0	E-RING				2.00
46	40056622	MINUTE_LIFTING_DEVICE_ASM.	OPTIONAL PARTS			1.00
47	23611106	HAND_LIFTER		*		1.00
48	23610504	STOPPER_BASE		*		1.00
49	23610652	STOPPER_SCREW_ASM.		*		1.00
50	D5119206K0K	SPACER		*		2.00

51	23610702	STOPPER SCREW NUT		*		1.00
52	SL6053592TN	BOLT		*		1.00
53	RO044240100	RUBBER RING				1.00
54	B3118552F00	TENSION RELEASING PIN				1.00
55	WP0501016SD	WASHER 5X10.5X1				1.00

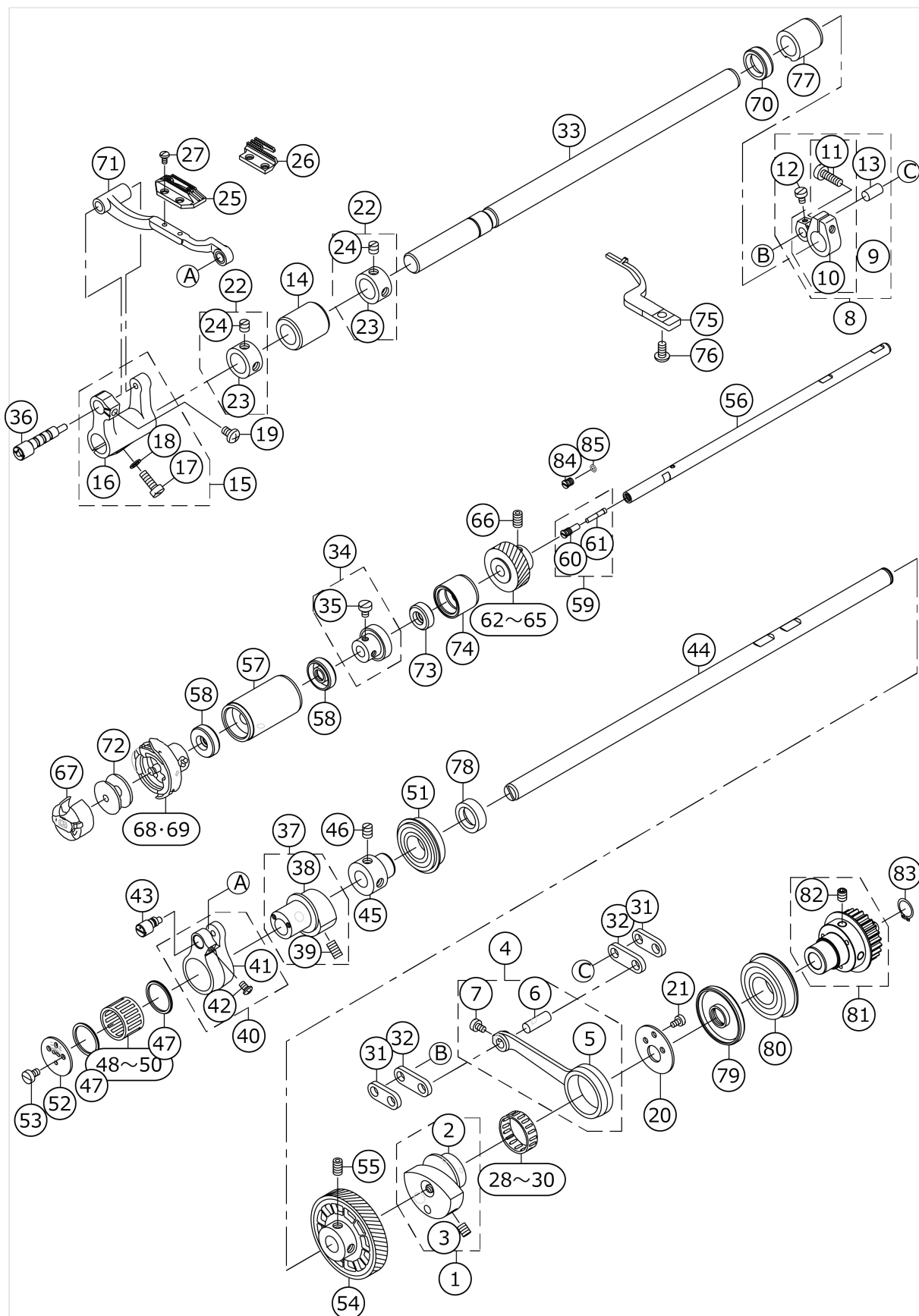
FEED ADJUST MECHANISM COMPONENTS



No.	品番	品名	備考	子部品	消耗品	個数
1	40086735	ADJUSTING_LINK_ASM.				1.00
2	40086695	FEED_ADJUSTING_LINK		*		1.00
3	40086696	FEED_ADJUSTING_LINK_PIN		*		2.00
4	SM80506A2TP	SCREW M5 L=6		*		2.00
5	40086608	ADJUSTING_LINK_FULCRUM_SHAFT				1.00
6	SM80606A2TP	SCREW M6 L=6				1.00
7	40086615	FEED_CHANGING_SHAFT_METAL_A				1.00
8	40086704	FEED_CHANGING_SHAFT_ARM_ASM.				1.00
9	40086705	FEED_CHANGING_SHAFT_ARM		*		1.00
10	SM6051602TP	SCREW M5X0.8 L=16		*		1.00
11	22910509	FEED ADJUSTING LINK PIN		*		1.00
12	40086706	FEED_CHANGING_SPRING_PIN		*		1.00
13	40086616	FEED_CHANGING_SHAFT_METAL_B				1.00
14	40086614	FEED_CHANGING_SHAFT				1.00
15	40086738	REVERSE_FEED_LEVER				1.00
16	23613706	FEED LEVER SHAFT				1.00
17	40086674	FEED_LEVER_ARM_ASM.				1.00
18	40086675	FEED_LEVER_ARM		*		1.00
19	SM6051602TP	SCREW M5X0.8 L=16		*		1.00
20	40086737	FEED ADJUSTING SPRING				1.00
21	40086739	FEED LEVER SPRING				1.00
22	40086609	FEED_ADJUSTING_ROD				1.00
23	23630007	TUBE				0.10
24	RE0500000K0	E-RING				1.00
25	23612609	FEED CHANGING SHAFT OIL SEAL				1.00
26	SM80608A2TP	SCREW M6 L=8				2.00
27	22952501	BACK LEVER STOPPER				1.00
28	SM6051850TP	SCREW M5 L=18				1.00
29	40141842	FEED REGULATOR SCREW				1.00
30	40123098	FEED_REGULATOR_PIN_SPRING				1.00
31	40161440	FEED_REGULATOR_PIN				1.00
32	40141840	REGULATOR STOPPER SPRING				1.00
33	40141838	FEED REGULATOR WASHER				1.00
34	40141841	REGULATOR PIN DIAL				1.00
35	SS6121860SP	SCREW 3/16-28 L=18				1.00
36	40086617	FEED_LEVER_SHAFT_METAL				1.00
37	40086736	RUBBER PLUG				1.00
38	SM80606A2TP	SCREW M6 L=6				1.00
39	23613409	FEED ADJUSTING PIN				1.00
40	40095847	FEED REGULATOR ASM.				1.00
41	SM80606A2TP	SCREW M6 L=6		*		1.00
42	40122891	FEED_REGULATOR		*		1.00
43	RO092270200	RUBBER RING				1.00
44	40161441	REGULATOR_PIN_STOPPER				1.00
45	40086613	FEED_REGULATOR_STOPPER_PIN				2.00
46	40006716	THREAD_TRIMMER_SHAFT				1.00
47	SM80606A2TP	SCREW M6 L=6				1.00

HORIZONTAL FEED, VERTICAL FEED & HOOK DRIVING SHAFT COMPONENTS

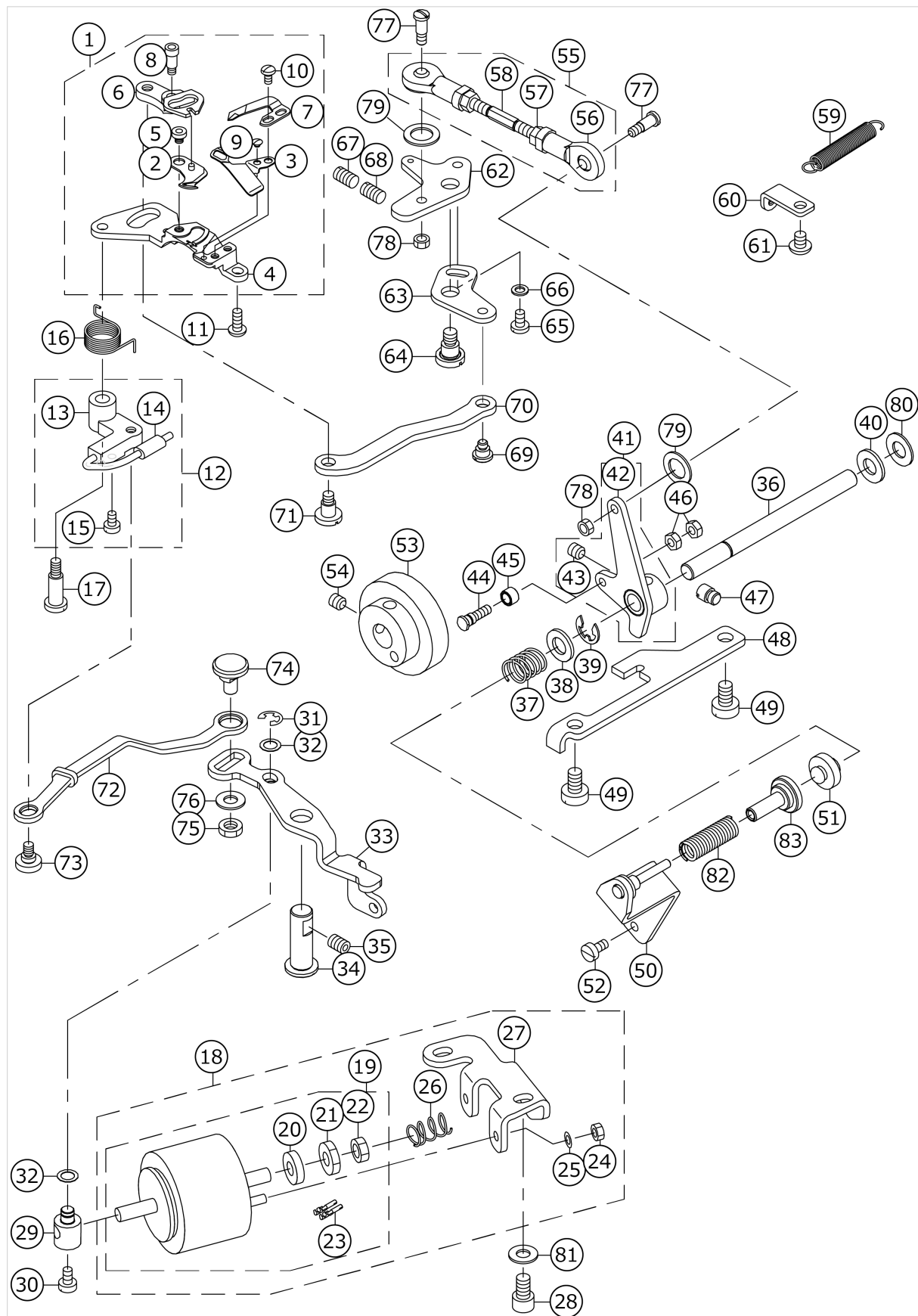
TS



No.	品番	品名	備考	子部品	消耗品	個数
1	40037192	FEED ROCKER CAM ASM.				1.00
2	23616006	FEED ROCKER CAM		*		1.00
3	SS8150822TP	SCREW 15/64-28 L=8		*		2.00
4	40037365	FEED ROCKER ROD ASM.				1.00
5	40026277	FEED ROCKER ROD		*		1.00
6	22911101	WALKING FOOT PIN C		*		1.00
7	SS6090620TP	SCREW		*		1.00
8	40061246	FEED ROCKER ARM ALL ASM.				1.00
9	40058504	FEED ROCKER ARM ASM.		*		1.00
10	40042079	FEED ROCKER ARM		*		1.00
11	SS6121610SP	SCREW 3/16-28 L=15.5		*		1.00
12	SS6090620TP	SCREW		*		1.00
13	22911002	WALKING FOOT PIN B		*		1.00
14	23616709	FEED ROCKER SHAFT METAL				1.00
15	40037005	ASSY_FEED_ROCKER_BASE_ARM				1.00
16	40026281	FEED ROCKER BASE ARM		*		1.00
17	SM6051400SP	SCREW		*		1.00
18	WP0480856SP	WASHER 4.8X8.4X0.8		*		1.00
19	SM4050855SP	SCREW				1.00
20	23616204	FEED ROCKER CAM PLATE				1.00
21	SS6090670TP	SCREW 9/64-40 L=6				2.00
22	22904155	MAIN SHAFT THRUST COLLAR ASM.				2.00
23	22904106	MAIN SHAFT THRUST COLLAR		*		1.00
24	SS8660610TP	SCREW 1/4-40 L=6		*		2.00
25	B1613012I00	FEED DOG I	FOR AA,BB,GG			1.00
26	23614506	FEED DOG A	FOR EE			1.00
27	SS4080620TP	SCREW 1/8-44 L=6				2.00
28	B412352200A	NEEDLE BEARING	SELECTIVE PARTS			1.00
29	B412352200B	NEEDLE ROLLAR	SELECTIVE PARTS			1.00
30	B412352200C	NEEDLE ROLLAR	SELECTIVE PARTS			1.00
31	40026278	CONNECTING LINK A				2.00
32	23616402	CONNECTING LINK B				2.00
33	23616600	FEED ROCKER SHAFT				1.00
34	40086743	BEARING SUPPORT ASM.				1.00
35	SS6110710TP	SCREW 11/64-40 L=6.5		*		2.00
36	40026282	FEED ROCKER BASE SHAFT				1.00
37	40000391	VERTICAL FEED CAM ASM. 5				1.00
38	40000392	VERTICAL FEED CAM 5		*		1.00
39	SS8151150TP	SCREW 15/64-28 L=10.5		*		2.00
40	40053720	FEED DRIVING BASE ARM ASM.				1.00
41	40026287	FEED DRIVING BASE ARM		*		1.00
42	SM4040655SP	SCREW M4 L=6		*		1.00
43	40026288	FEED DRIVING BASE SHAFT				1.00
44	40086757	FEED DRIVING SHAFT				1.00
45	40086690	FEED_DRIVING_BEARING_SUPPORT				1.00
46	SS8661012TP	SCREW				2.00
47	23618101	FEED DRIVING CAM THRUST BUSH				2.00

48	SB32000060A	BEARING	SELECTIVE PARTS			1.00
49	SB32000060B	BEARING	SELECTIVE PARTS			1.00
50	SB32000060C	BEARING	SELECTIVE PARTS			1.00
51	SB117001200	BEARING				1.00
52	23618309	FEED DRIVING CAM PLATE				1.00
53	SS6090670TP	SCREW 9/64-40 L=6				2.00
54	23620503	GEAR (LARGE)				1.00
55	SS8661012TP	SCREW				2.00
56	23620008	HOOK SHAFT				1.00
57	23620156	HOOK SHAFT METAL COMPL.				1.00
58	40145927	OIL SEAL				2.00
59	22916555	OIL SEAL SCREW ASM.				1.00
60	22916506	SET SCREW		*		1.00
61	11015906	OIL WICK		*		1.00
62	23620701	GEAR (SMALL)(A)	SELECTIVE PARTS			1.00
63	23620800	GEAR (SMALL)(B)	SELECTIVE PARTS			1.00
64	23620909	GEAR (SMALL)(C)	SELECTIVE PARTS			1.00
65	23621006	GEAR (SMALL)(D)	SELECTIVE PARTS			1.00
66	SS8661012TP	SCREW				2.00
67	11038759	BOBBIN CASE ASM.				1.00
68	11141355	HOOK ASM.	FOR BB			1.00
69	11038650	HOOK ASM.	FOR AA,EE,GG			1.00
70	40086740	OIL SEAL				1.00
71	40030786	FEED BASE COMPL.				1.00
72	22964001	BOBBIN A				1.00
73	40086744	HOOK DRIVING SHAFT OIL SEAL				1.00
74	23620404	HOOK SHAFT REAR METAL				1.00
75	40089607	INNER_HOOK HOLDER				1.00
76	SM4051055SP	SCREW				1.00
77	40086618	FEED_SHAFT_REAR_METAL				1.00
78	40086741	OIL SEAL				1.00
79	40086742	OIL SEAL				1.00
80	SB120001800	BEARING				1.00
81	40141443	UNDER SPROCKET ASM.				1.00
82	SM80608A2TP	SCREW M6 L=8		*		2.00
83	RC1200001KP	C-SHAPED SNAP RING				1.00
84	11079506	FRONT SCREW	OPTIONAL PARTS			1.00
85	RO036080200	RUBBER RING	OPTIONAL PARTS			1.00

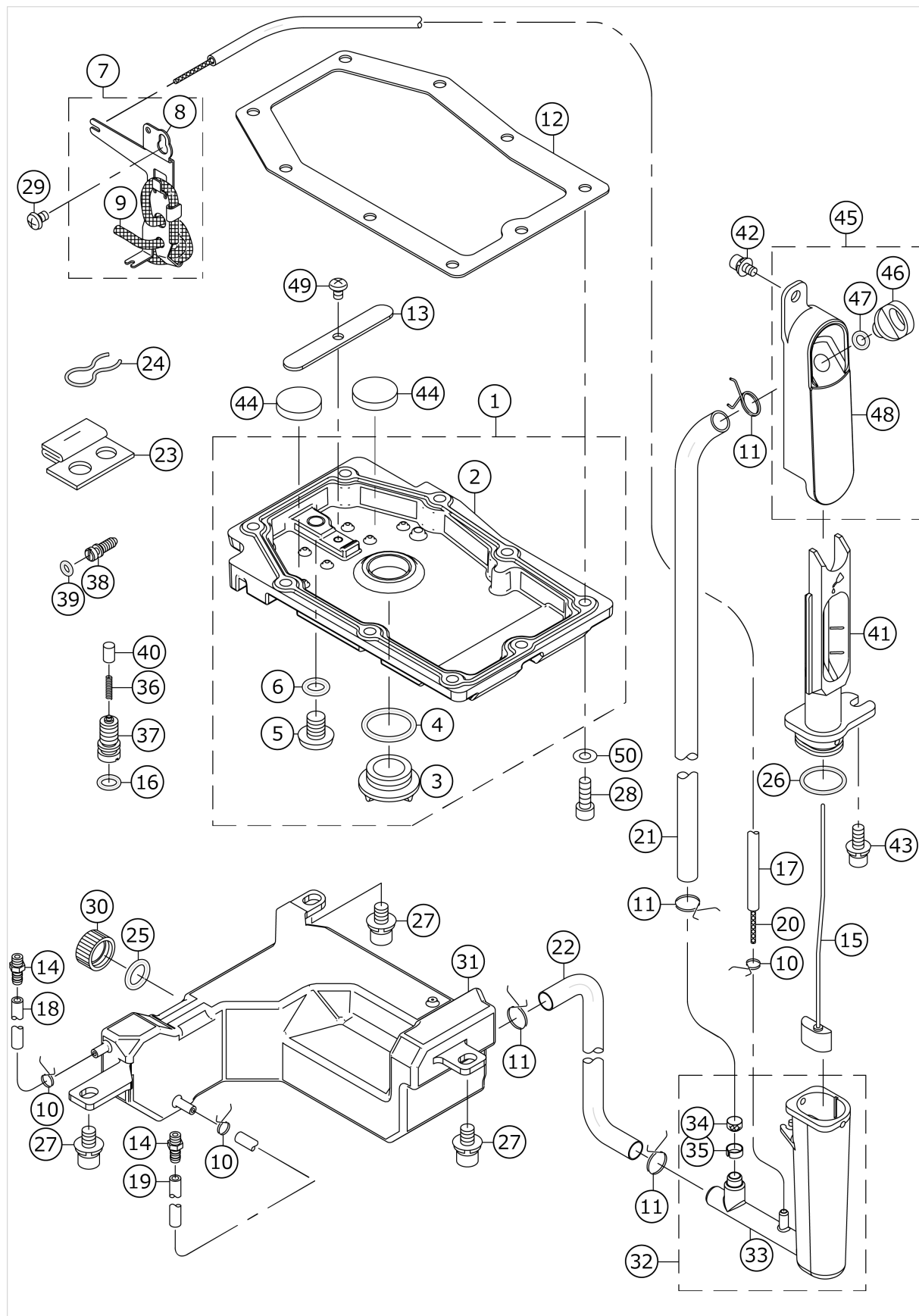
THREAD TRIMMER COMPONENTS



No.	品番	品名	備考	子部品	消耗品	個数
1	40050585	KNIFE UNIT				1.00
2	11040052	MOVING KNIFE ASM.		*		1.00
3	40044189	THREAD_GUIDE_FOR_KNIFE		*		1.00
4	22947907	KNIFE MOUNTING BASE		*		1.00
5	11040409	MOVING KNIFE HINGE SCREW		*		1.00
6	22948202	FORKED BASE FOR KNIFE		*		1.00
7	D2406555D0H	COUNTER KNIFE		*		1.00
8	SD0460703TP	HINGE SCREW D=4.6 H=7		*		1.00
9	SS2060210SP	SCREW 3/32-56 L=2.3		*		1.00
10	SS4080620TP	SCREW 1/8-44 L=6		*		2.00
11	SM4041055SP	SCREW				1.00
12	40036998	ASSY_PICKER_ARM				1.00
13	40061215	PICKER ARM		*		1.00
14	40036997	ASSY_PICKER		*		1.00
15	SS6090670TP	SCREW 9/64-40 L=6		*		2.00
16	40029398	PICKER SPRING				1.00
17	SD0641456TP	SHOULDER SCREW D=6.35 H=14.5				1.00
18	40086746	ASSY_THREAD_TRIM_SOLENOID				1.00
19	40089263	THREAD TRIMMER SOLENOID		*		1.00
20	11043304	SOLENOID RUBBER		*		1.00
21	NS6660410SH	NUT		*		1.00
22	NS6660430SP	NUT 1/4-40		*		1.00
23	HK03464000B	PIN CONTACT		*		2.00
24	NM6040000SN	NUT M4		*		2.00
25	WP0430800SC	WASHER M4		*		2.00
26	40089672	SPRING		*		1.00
27	40086727	SOLEOID INSTALLING BASE		*		1.00
28	SM6061002TP	SCREW M6 L=10				2.00
29	40086711	SORENOID_PIN				1.00
30	SS6110710TP	SCREW 11/64-40 L=6.5				1.00
31	RE0500000K0	E-RING				1.00
32	10618304	WASHER				2.00
33	40086634	CLUTCH_PLATE				1.00
34	40086635	CLUTCH_SHAFT				1.00
35	SM8060812TP	SCREW M6 L=8				1.00
36	40086622	THREAD_TRIMMER_SHAFT				1.00
37	31256803	SPRING				1.00
38	WP0841600SD	WASHER M8				1.00
39	RE0700000K0	E-RING 7				1.00
40	B1116804000	RUBBER WASHER				1.00
41	40095843	ASSY CAM FOLLOWER				1.00
42	40086624	CAM_FOLLOWER_ASM.		*		1.00
43	SM80606A2TP	SCREW M6 L=6		*		2.00
44	40086748	ROLLER SHAFT				1.00
45	40015671	CAM_ROLLER				1.00
46	NM6040001SP	NUT M4X0.7				2.00
47	40086623	STOPPER_SCREW				1.00
48	40086636	CAM_FOLLOWER_STOPPER				1.00
49	SM6061010TP	SCREW M6 L=10				2.00
50	40095870	THREAD TRIMMER STOPPER ASM.				1.00

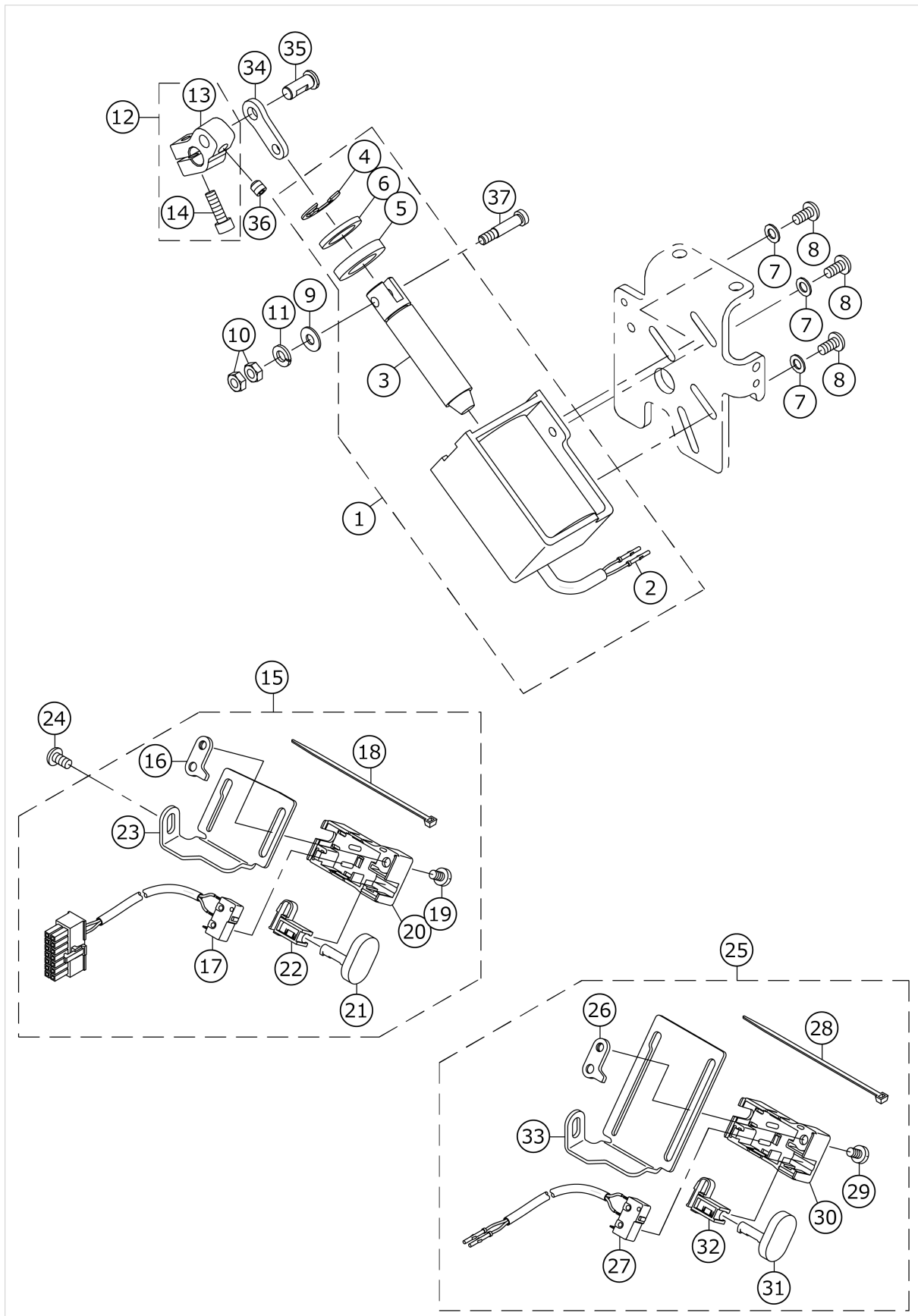
51	B1116210D00	STOPPER RUBBER				1.00
52	SM6040800SP	SCREW				2.00
53	40086747	THREAD TRIMMER CAM				1.00
54	SM80608A2TP	SCREW M6 L=8				2.00
55	40086708	CONNECTING_ROD_ASM.				1.00
56	40136701	ROD_END		*		2.00
57	NM6050001SC	NUT M5		*		2.00
58	40086709	CONNECTING_BAR		*		1.00
59	26226209	SPRING				1.00
60	40086621	SPRING_RACK				1.00
61	SM4050655SP	SCREW M5 L=6				1.00
62	40086631	THREAD_TRIMMER_LINK_A				1.00
63	40086632	THREAD_TRIMMER_LINK_B				1.00
64	40086633	SHOULDER_SCREW				1.00
65	SS7110740TP	SCREW 11/64-40 L=7				1.00
66	WP0450801SP	WASHER				1.00
67	SM8061050TP	SCREW				1.00
68	SM8061010TP	SCREW				1.00
69	SD0640321SP	HINGE SCREW D=6.35 H=3.2				1.00
70	40086628	MOVING_KNIFE_LINK				1.00
71	SD0640631TP	HINGE SCREW D=6.35 H=6.3				1.00
72	40086637	PICKER_LINK_ASM.				1.00
73	SD0630275SP	HINGE SCREW D=6.35 H=2.7				1.00
74	22950000	PICKER LINK PIN				1.00
75	NS6150310SP	NUT 15/64-28				1.00
76	WP0621016SH	WASHER				1.00
77	SD0500701TP	SHOULDER SCREW				2.00
78	NS6110310SP	NUT 11/64-40				2.00
79	40086712	CONNECTING ROD FELT				2.00
80	40090099	WASHER				1.00
81	WP0621016SD	WASHER 6.2X13X1				2.00
82	40095218	THREAD TRIMMER STOPPER SPRING				1.00
83	40095873	THREAD TRIMMER STOPPER BUSH				1.00

OIL LUBRICATION COMPONENTS



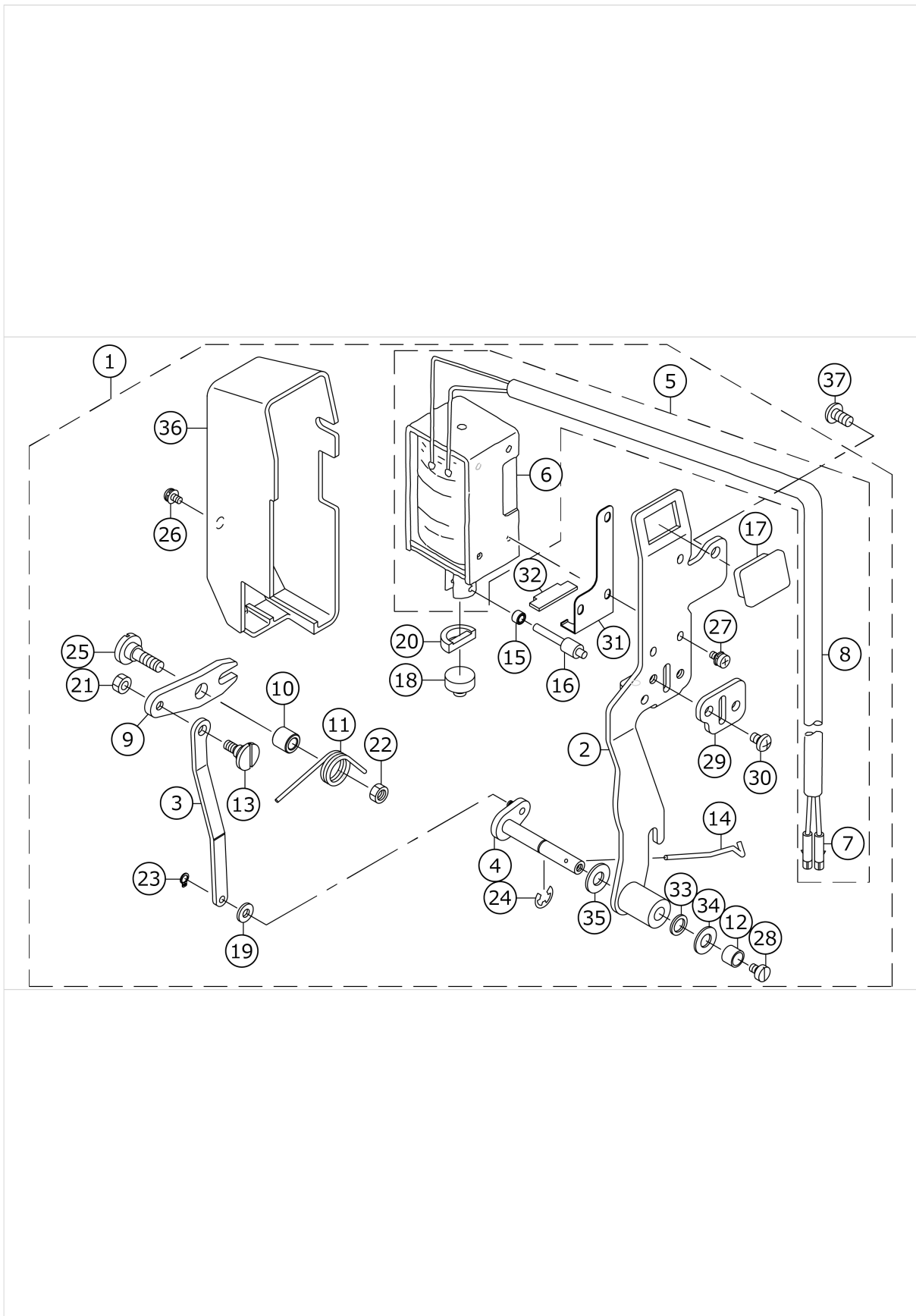
No.	品番	品名	備考	子部品	消耗品	個数
1	40082059	GEAR BOX COVER ASM.				1.00
2	40135639	GEAR_BOX_COVER		*		1.00
3	40034246	OIL_SIGHT_WINDOW		*		1.00
4	RO195240100	RUBBER RING		*		1.00
5	13171004	DRAIN SCREW		*		1.00
6	13170105	RUBBER RING		*		1.00
7	23629256	OIL WICK SUPPORT ASM.				1.00
8	23629207	OIL WICK SUPPORT		*		1.00
9	CQ250000001	OIL WICK		*		0.25
10	23629306	PIPE STOPPER A				3.00
11	23629405	PIPE STOPPER B				4.00
12	40037166	GEAR BOX PACKING				1.00
13	40135640	MAGNET HOLDER				1.00
14	SQ2050453MZ	CONNECTING SCREW				2.00
15	40086648	FLOATER_ASM.				1.00
16	RO068190100	RUBBER RING				1.00
17	23630007	TUBE				0.57
18	23630007	TUBE				0.08
19	23630007	TUBE				0.11
20	CQ200000001	OIL WICK				0.75
21	23630106	TUBE B				0.17
22	23630106	TUBE B				0.20
23	40075404	FACE FELT ASM.				1.00
24	22925101	OIL FELT PRESSER				1.00
25	RO098240100	RUBBER RING				1.00
26	RO172180100	RUBBER RING				1.00
27	SL6061292TN	SCREW				3.00
28	SM6051402TP	SCREW M5X0.8 L=14				9.00
29	SM5040655SN	SCREW				1.00
30	40013595	OIL_EXIT_CAP				1.00
31	40098329	OIL_TANK				1.00
32	40086646	FLOATER_CASE_ASM.				1.00
33	40086647	FLOATER_CASE		*		1.00
34	23630403	OIL FILTER		*		1.00
35	23630502	OIL FILTER STOPPER		*		1.00
36	23628902	PLUNGER SPRING				1.00
37	40038328	PLUNGER SCREW				1.00
38	40037502	OIL ADJUSTING SCREW				1.00
39	RO037180100	RUBBER RING				1.00
40	23628803	PLUNGER				1.00
41	40086693	FROATER_CASE_GUIDE				1.00
42	SL6040892TN	BOLT				1.00
43	SL6051492TN	BOLT				1.00
44	B8228125000	OIL RESERVOIR MAGNET				2.00
45	40149785	ASSY_FLOATER_SIGHT_WINDOW_B				1.00
46	40000344	LUBRICATING INLET CAP		*		1.00
47	RO048190100	RUBBER RING		*		1.00
48	40086697	FLOATER_SIGHT_WINDOW_B		*		1.00
49	SM4040601SC	SCREW M4X0.7 L=6				1.00
50	WP0501016SD	WASHER 5X10.5X1				9.00

AUTOMATIC REVERSE FEED COMPONENTS



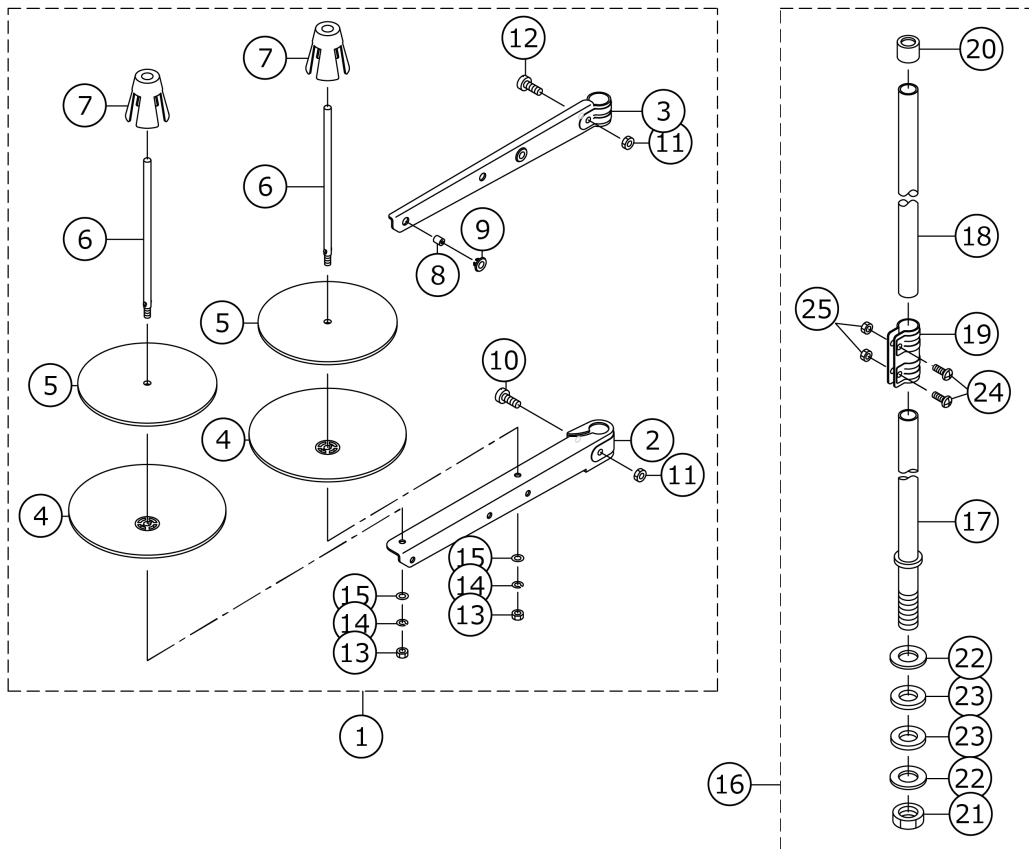
No.	品番	品名	備考	子部品	消耗品	個数
1	40086750	REVERSE FEED SOLENOID ASM.				1.00
2	HK03464000B	PIN CONTACT		*		2.00
3	40086753	REVERSE FEED SOLENOID PLUNGER		*		1.00
4	RE1200000K0	E-RING 12		*		1.00
5	D2468555B00	RUBBER PLUNGER		*		1.00
6	WP1602616SZ	WASHER 16X24X2.6		*		1.00
7	WP0550800SP	WASHER 5.5X10X0.8				3.00
8	SM4051055SP	SCREW				3.00
9	WP0551016SH	WASHER 5.5X13X1				1.00
10	NM6050001SP	NUT M5				2.00
11	WS0610002KN	SPRING WASHER 6.1X12.2X1.5				1.00
12	40095844	REVERSE FEED ARM ASM.				1.00
13	40086698	REVERSE_FEED_ARM		*		1.00
14	SM6051602TP	SCREW M5X0.8 L=16		*		1.00
15	23631757	REVERSE FEED SWITCH ASM.				1.00
16	23632102	REVERSE FEED SWITCH BASE GUIDE		*		1.00
17	23632359	REVERSE FEED CORD ASM.		*		1.00
18	EA9500B0100	CABLE BAND		*		1.00
19	SS7110740TP	SCREW 11/64-40 L=7		*		1.00
20	23631708	REVERSE FEED SWITCH COVER		*		1.00
21	23631807	REVERSE FEED SWITCH SHAFT		*		1.00
22	23631906	REVERSE FEED SWITCH SUPPORT		*		1.00
23	23632003	REVERSE FEED SWITCH BASE		*		1.00
24	SM4051055SP	SCREW				1.00
25	23632656	OPTION SWITCH ASM.	OPTIONAL PARTS			1.00
26	23632102	REVERSE FEED SWITCH BASE GUIDE		*		1.00
27	23632250	REVERSE FEED CORD ASM.		*		1.00
28	EA9500B0100	CABLE BAND		*		1.00
29	SS7110740TP	SCREW 11/64-40 L=7		*		1.00
30	23631708	REVERSE FEED SWITCH COVER		*		1.00
31	23631807	REVERSE FEED SWITCH SHAFT		*		1.00
32	23631906	REVERSE FEED SWITCH SUPPORT		*		1.00
33	23632607	OPTION SWITCH BASE		*		1.00
34	40086655	REVERSE_FEED_CONNECTION_LINK				1.00
35	40086699	REVERSE_FEED_LINK_PIN				1.00
36	SM8480652TP	SCREW				1.00
37	40086759	BACK_SOLENOID_PLUNGER_PIN				1.00

WIPER COMPONENTS (FOR DDL-9000B-**-WB)



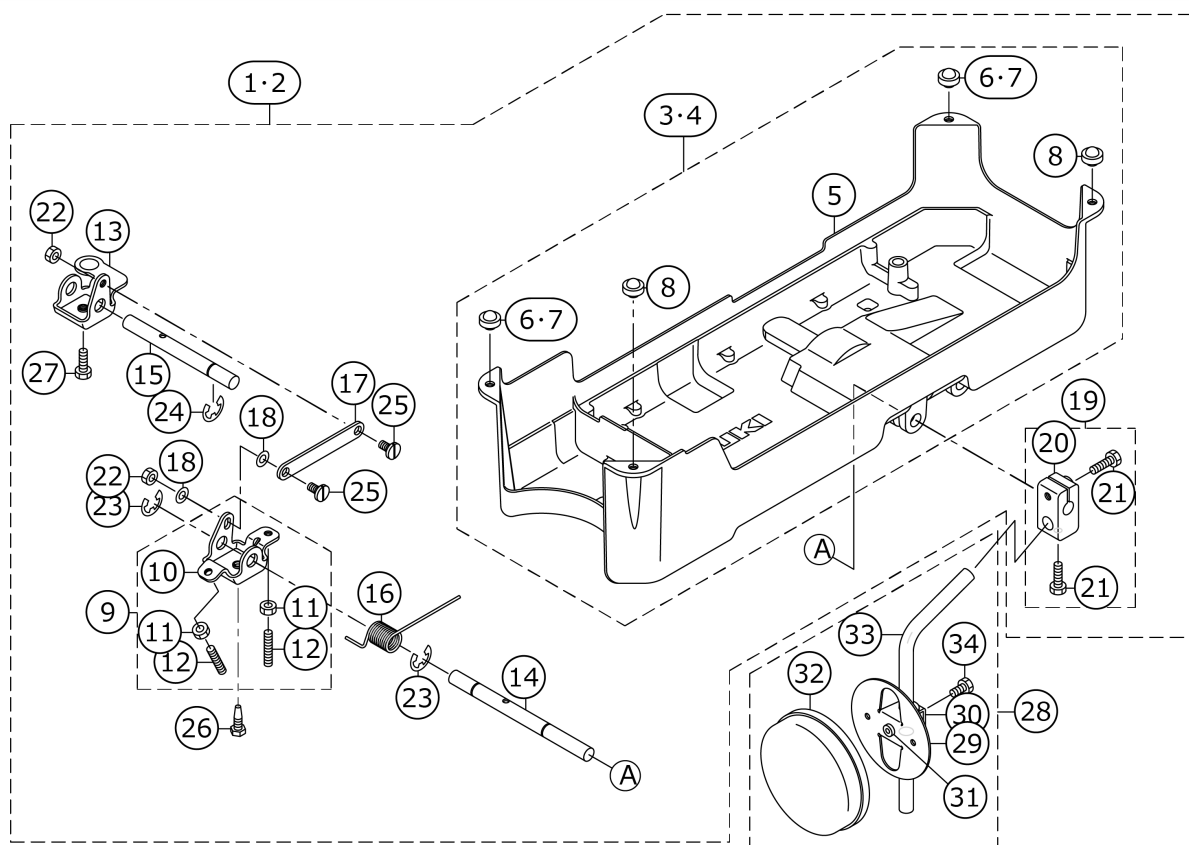
No.	品番	品名	備考	子部品	消耗品	個数
1	40086676	WIPER ASM.				1.00
2	40077853	WIPER BASE ASM.		*		1.00
3	40086723	WIPER LINK B		*		1.00
4	40086724	WIPER SHAFT ASM.		*		1.00
5	40095175	WIPER_SOLENOID_ASM.		*		1.00
6	40089264	WIPER SOLENOID		*		1.00
7	HK03464000B	PIN CONTACT		*		2.00
8	HW500070000	2-CORE CABTYRE CORD		*		1.30
9	22956106	WIPER LINK A		*		1.00
10	22956205	WIPER HINGE SCREW COLLAR		*		1.00
11	22956304	WIPER SPRING		*		1.00
12	22956809	WIPER COLLAR		*		1.00
13	22956908	WIPER LINK B HINGE SCREW		*		1.00
14	22957005	WIPER		*		1.00
15	22957203	WIPER LINK COLLAR		*		1.00
16	40077852	WIPER SOLENOID SHAFT		*		1.00
17	40086678	WIPER_SW_RUBBER		*		1.00
18	22955900	WIPER RUBBER A		*		1.00
19	40086717	FELT_B		*		1.00
20	22956007	WIPER RUBBER B		*		1.00
21	NS6090310SP	NUT 9/64-40		*		1.00
22	NS6110310SP	NUT 11/64-40		*		1.00
23	RC0370411KP	RETAINING RING		*		1.00
24	RE0500000K0	E-RING		*		1.00
25	SD0650321TP	HINGE SCREW D=6.5 H=3.2		*		1.00
26	SL4030631SC	SCREW M3X6		*		1.00
27	SL4030641SE	SCREW		*		3.00
28	SS6090540SP	SCREW 9/64-40 L=5.0		*		1.00
29	40077851	WIPER SOLENOID SHAFT GUIDE		*		1.00
30	SS4110615SP	SCREW 11/64-40 L=6		*		2.00
31	40086680	WIPER_STOPPER_RUBBER_HOLDER		*		1.00
32	40086679	WIPER_STOPPER_RUBBER		*		1.00
33	WP0661016SP	WASHER		*		1.00
34	WP0651001SC	WASHER		*		1.00
35	40086716	FELT_A		*		1.00
36	22955504	WIPER COVER		*		1.00
37	SM4051055SP	SCREW				1.00

THREAD STAND COMPONENTS



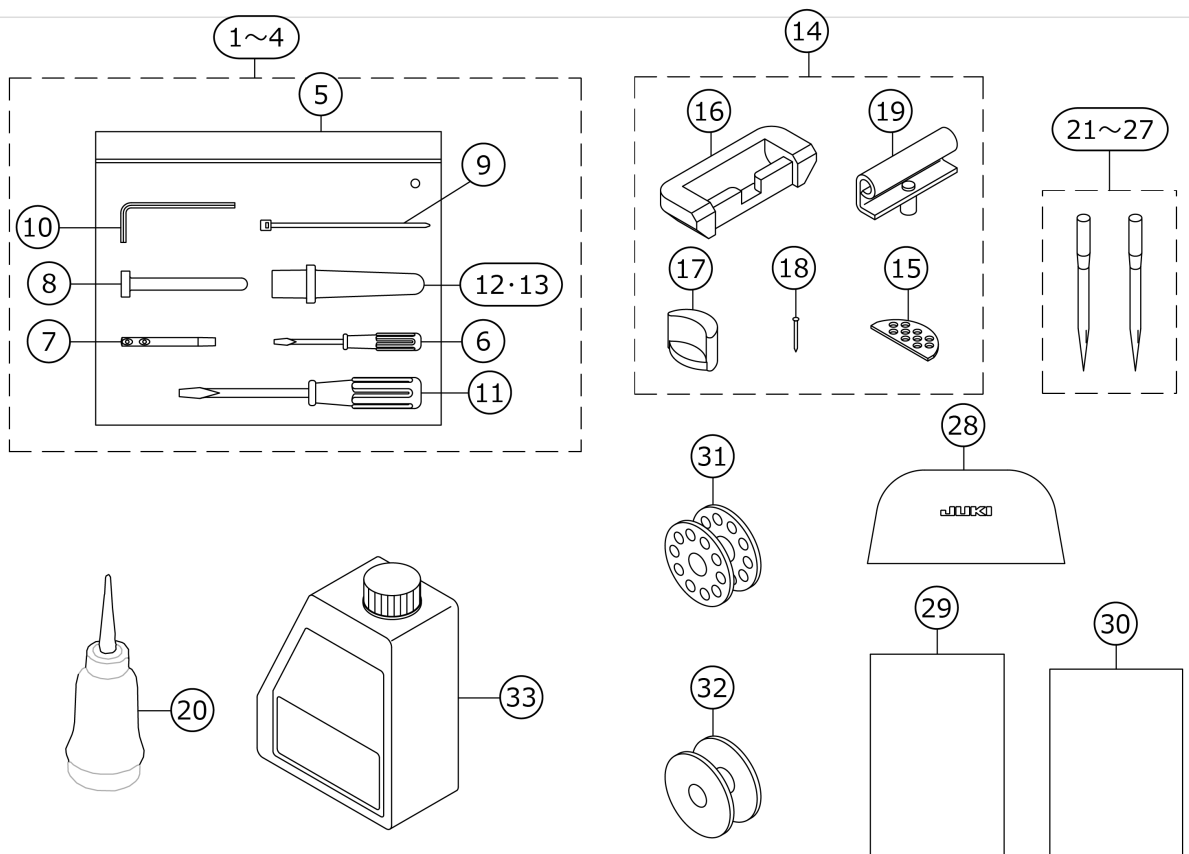
No.	品番	品名	備考	子部品	消耗品	個数
1	40108402	THRED_STAND_B				1.00
2	40085786	SPOOL REST ARM (LOWER)		*		1.00
3	40085787	SPOOL REST ARM (UPPER)		*		1.00
4	40085788	SPOOL REST		*		2.00
5	40085789	SPOOL REST CUSHION		*		2.00
6	40085790	SPOOL PIN		*		2.00
7	40085791	SPOOL RETAINER		*		2.00
8	40085794	THREAD GUIDE		*		2.00
9	40085795	THREAD GUIDE BUSHING		*		2.00
10	40096326	SPOOL REST ARM LOWER SCREW		*		1.00
11	NM6050001SE	NUT M5		*		2.00
12	40096327	SPOOL REST ARM UPPER SCREW		*		1.00
13	NM6050001SE	NUT M5		*		2.00
14	WS0510002KN	SPRING WASHER M5		*		2.00
15	WP0531001SC	WASHER M5		*		2.00
16	40108401	THREAD_STAND_A				1.00
17	40085784	SPOOL REST ROD LOWER		*		1.00
18	40085785	SPOOL REST ROD UPPER		*		1.00
19	40085792	SPOOL REST ROD JOINT		*		1.00
20	40085793	SPOOL REST ROD RUBBER CAP		*		1.00
21	40096325	SPOOL REST ROD NUT		*		1.00
22	WP1612616SE	WASHER 16X30X2.6		*		2.00
23	40085796	SPOOL REST ROD RUBBER CUSHION		*		2.00
24	SM4051405SE	SCREW M5 L=14		*		2.00
25	NM6050001SE	NUT M5		*		2.00

UNDER COVER COMPONENTS



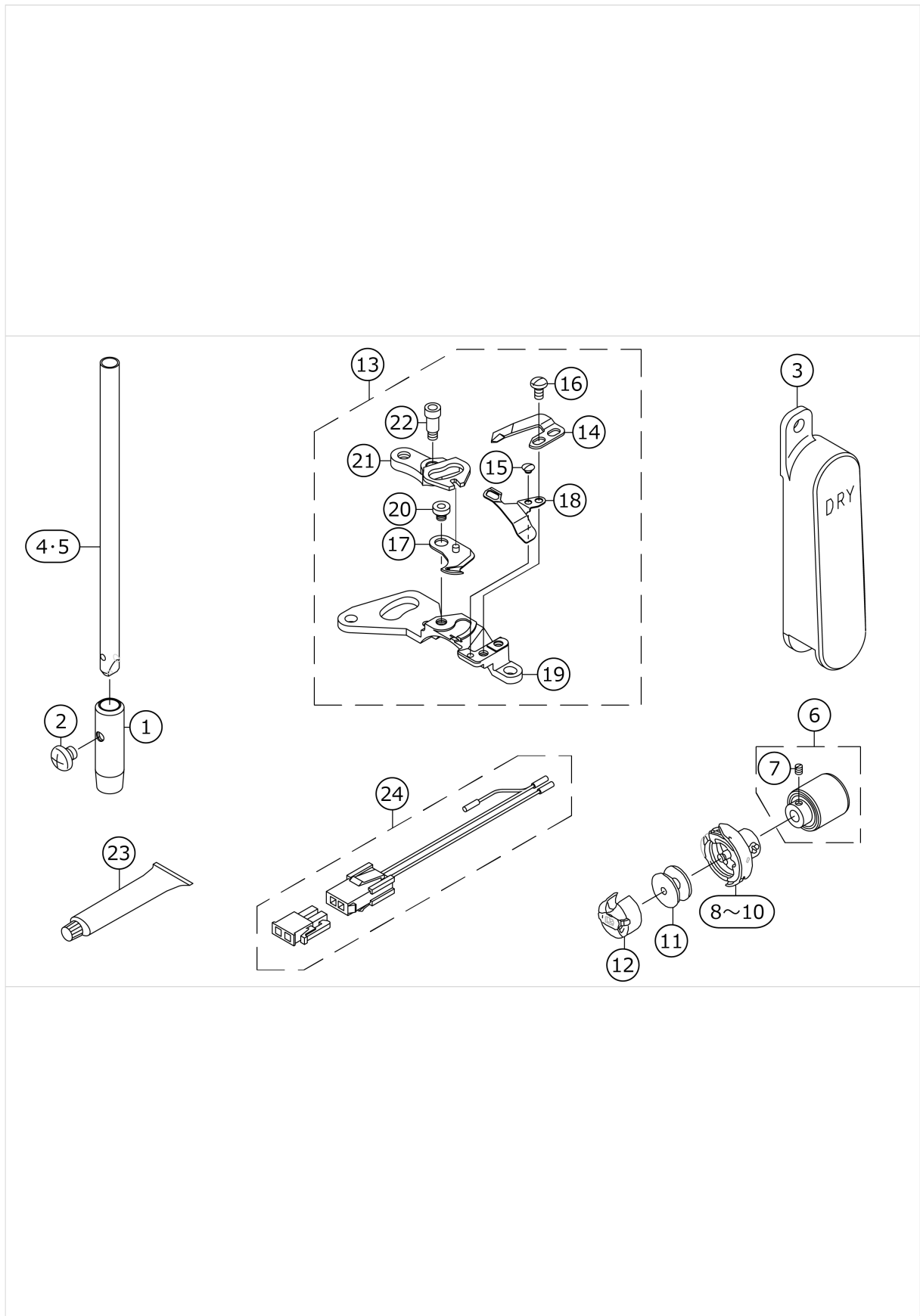
No.	品番	品名	備考	子部品	消耗品	個数
1	40089665	UNDER COVER AH ASM.	FOR DDL-9000B-SH			1.00
2	40062321	UNDER COVER A ASM.	EXCEPT DDL-9000B-SH			1.00
3	40089671	UNDER COVER BH ASM.	FOR DDL-9000B-SH	*		1.00
4	40062323	UNDER COVER B ASM.	EXCEPT DDL-9000B-SH	*		1.00
5	23639008	UNDER COVER		*		1.00
6	22932008	RUBBER CUSHION	FOR DDL-9000B-SH	*		2.00
7	B1116210D00	FRAME SUPPORT RUBBER	EXCEPT DDL-9000B-SH	*		2.00
8	B1116210D00	FRAME SUPPORT RUBBER		*		2.00
9	23639156	BRACKET ASM.		*		1.00
10	23639107	BRACKET		*		1.00
11	NM6060001SE	NUT M6		*		2.00
12	SM8063012TR	SCREW M6 L=30		*		2.00
13	23639206	CONNECTING ROT		*		1.00
14	23639305	KNEE PRESS ROD		*		1.00
15	23639404	SHAFT		*		1.00
16	23639503	SPRING		*		1.00
17	23639602	CONNECTING ROD		*		1.00
18	WP0650876SD	WASHER 6.5X13X0.8		*		2.00
19	22932453	BRACKET ASM.		*		1.00
20	22932404	BRACKET		*		1.00
21	SM9062053SR	SCREW M6 L=20		*		2.00
22	NS6150310SP	NUT 15/64-28		*		2.00
23	RE1000000K0	E-RING 10		*		2.00
24	RE1000000K0	E-RING 10		*		1.00
25	SD0720331SP	HINGE SCREW D=7.24 H=3.3		*		2.00
26	SM9061853SR	SCREW M6 L=17.5		*		1.00
27	SM9061853SR	SCREW M6 L=17.5		*		1.00
28	22934251	KNEE PAD PLATE ASM.				1.00
29	22934202	KNEE PAD PLATE		*		1.00
30	22934301	KNEE PAD PLATE SUPPORT		*		1.00
31	22934400	KNEE PAD PLATE RUBBER		*		1.00
32	22934509	KNEE PAD PLATE COVER		*		1.00
33	22934608	KNEE PAD UPRIGHT SHAFT		*		1.00
34	SM9061203SE	SCREW M6 L=12		*		1.00

ACCESSORIE PART COMPONENTS



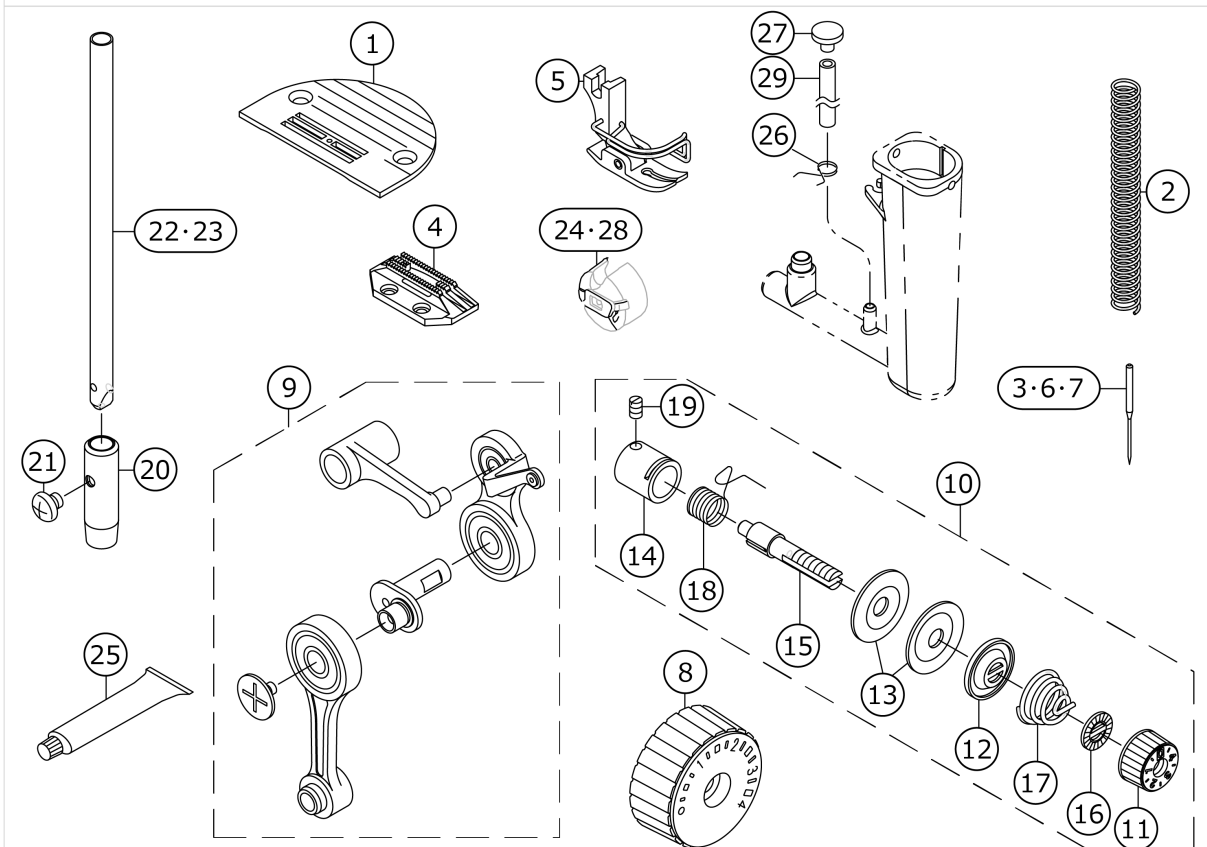
No.	品番	品名	備考	子部品	消耗品	個数
1	40089663	ACCESSORIE BAG ASM.	EXCEPT TYPE AK			1.00
2	40091140	ACCESSORIE BAG AK ASM.	TYPE AK			1.00
3	40099736	ACCESSORIE BAG ASM. 2	FOR CHINA (EXCEPT TYPE AK)			1.00
4	40099737	ACCESSORIE BAG AK ASM. 2	FOR CHINA (TYPE AK)			1.00
5	22932800	ACCESSORIE BAG		*		1.00
6	22933204	SCREW DRIVER (SMALL)	EXCEPT CHINA	*		1.00
7	22502504	THREAD GUIDE BAR		*		1.00
8	23639701	KNEE LIFTER PRESSER ROD		*		1.00
9	EA9500B0100	CABLE BAND		*		1.00
10	40055591	HEXAGONAL WRENCH KYE		*		1.00
11	22933105	SCREW DRIVER (MIDDLE)	EXCEPT CHINA	*		1.00
12	22931604	FRAME SUPPORT BAR	EXCEPT TYPE AK	*		1.00
13	40024081	HEAD SUPPORT ROD	TYPE AK	*		1.00
14	22958052	RUBBER HINGE ASM.				1.00
15	22926505	WASHER		*		2.00
16	22926000	RUBBER CUSHION		*		2.00
17	22958003	FRAME BUBBER CUSHION		*		2.00
18	22926208	NAIL		*		8.00
19	22926356	HINGE COMPL.		*		2.00
20	B91210120A0	OILER ASM.				1.00
21	MDB100B1100	NEEDLE DBX1 #11	VARIOUS NOS.FOR DESTINATIONS			1.00
22	MDB100B0900	NEEDLE DBX1 #9	VARIOUS NOS.FOR DESTINATIONS			1.00
23	MDB100B2100	NEEDLE DBX1 #21	VARIOUS NOS.FOR DESTINATIONS			1.00
24	MDB100B1400	NEEDLE DBX1 #14	VARIOUS NOS.FOR DESTINATIONS			1.00
25	MC200501300	NEEDLE 134 NM130	VARIOUS NOS.FOR DESTINATIONS			1.00
26	MC200500650	NEEDLE 134 NM65	VARIOUS NOS.FOR DESTINATIONS			1.00
27	MC200500750	NEEDLE 134 NM75	VARIOUS NOS.FOR DESTINATIONS			1.00
28	40135803	HEAD COVER				1.00
29	40089323	DDL-9000B SETUP DOCUMENT	EXCEPT CHINA			1.00
30	CM600100201	WEEE INFORMATION SHEET	VARIOUS NOS.FOR DESTINATIONS			1.00
31	B9117012000	BOBBIN	VARIOUS NOS.FOR DESTINATIONS			1.00
32	22964001	BOBBIN A	VARIOUS NOS.FOR DESTINATIONS			1.00
33	40102087	JUKI_MACHINE_OIL_7	EXCEPT CHINA			1.00

EXCLUSIVE PARTS DDL-9000B DS



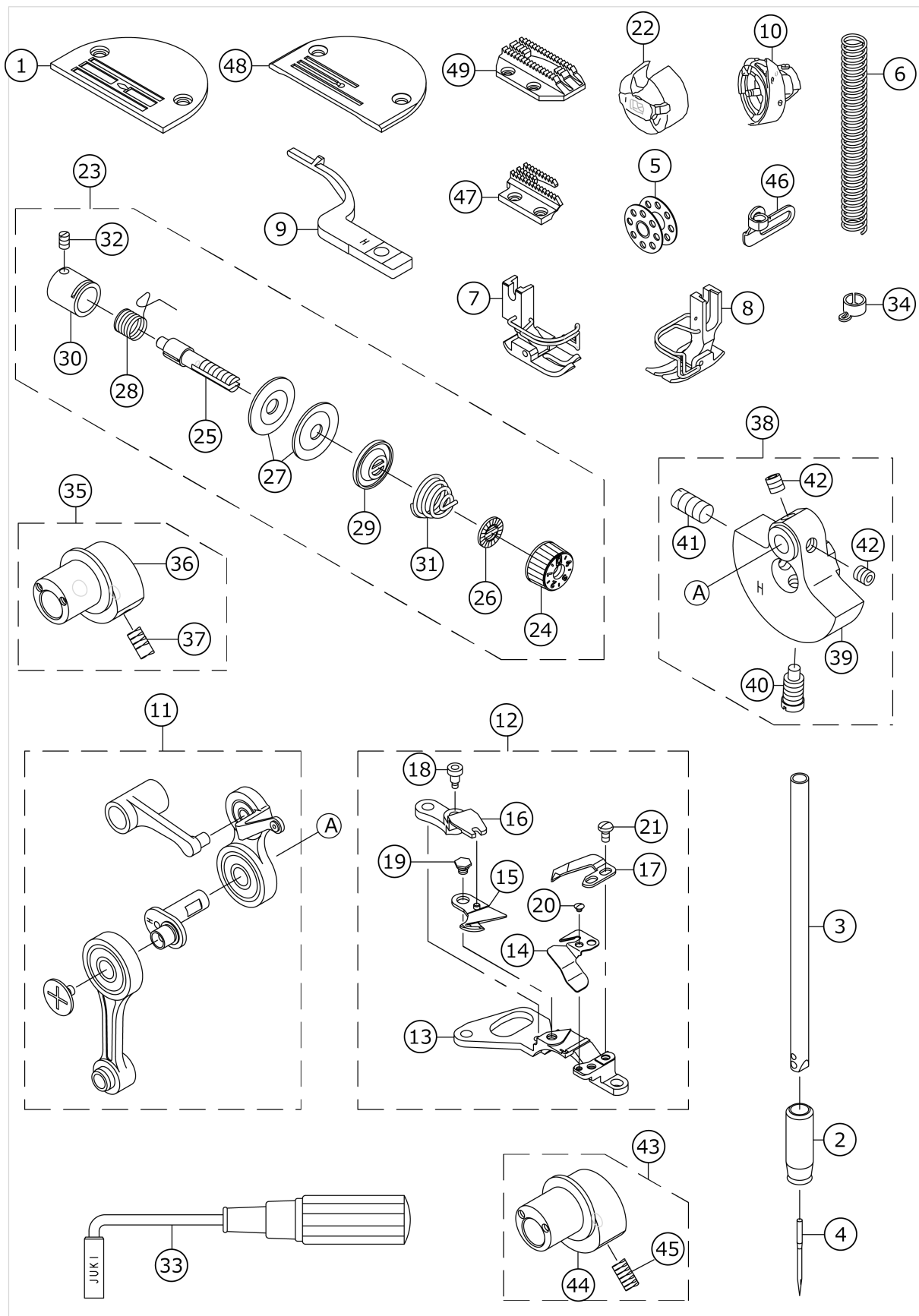
No.	品番	品名	備考	子部品	消耗品	個数
1	40086605	NEEDLE_BAR_LOWER_METAL_MD				1.00
2	SM4050501SC	SCREW M5X0.8 L=5				1.00
3	40037146	FLOATER SIGHT WINDOW D				1.00
4	40086604	NEEDLE_BAR_D_(B)	FOR DDL-9000B-DS BB			1.00
5	40086602	NEEDLE_BAR_D_(A)	FOR DDL-9000B-DS AA,EE,GG			1.00
6	40089274	HOOK_SHAFT_FRONT_BEARING_COMPL.				1.00
7	SS6110420TP	SCREW 11/64-40 L=4.8		*		2.00
8	22890404	RP HOOK C	FOR DDL-9000B-DS BB			1.00
9	22890206	RP HOOK	FOR DDL-9000B-DS EE,GG			1.00
10	22890305	RP HOOK S	FOR DDL-9000B-DS AA			1.00
11	22964001	BOBBIN A				1.00
12	22896252	BOBBIN CASE ASM.				1.00
13	40050586	KNIFE UNIT D				1.00
14	22895908	COUNTER KNIFE		*		1.00
15	SS2060210SP	SCREW 3/32-56 L=2.3		*		1.00
16	SS4080620TP	SCREW 1/8-44 L=6		*		2.00
17	11040052	MOVING KNIFE ASM.		*		1.00
18	40050588	THREAD GUIDE FOR KNIFE D		*		1.00
19	22947907	KNIFE MOUNTING BASE		*		1.00
20	11040409	MOVING KNIFE HINGE SCREW		*		1.00
21	22896005	FORKED BASE FOR KNIFE		*		1.00
22	SD0460703TP	HINGE SCREW D=4.6 H=7		*		1.00
23	40006323	JUKI GREASE A TUBE	FOR OPTIONAL PARTS			1.00
24	40050581	JOINT_CABLE_ASM.				1.00

EXCLUSIVE PARTS DDL-9000B MS,MA



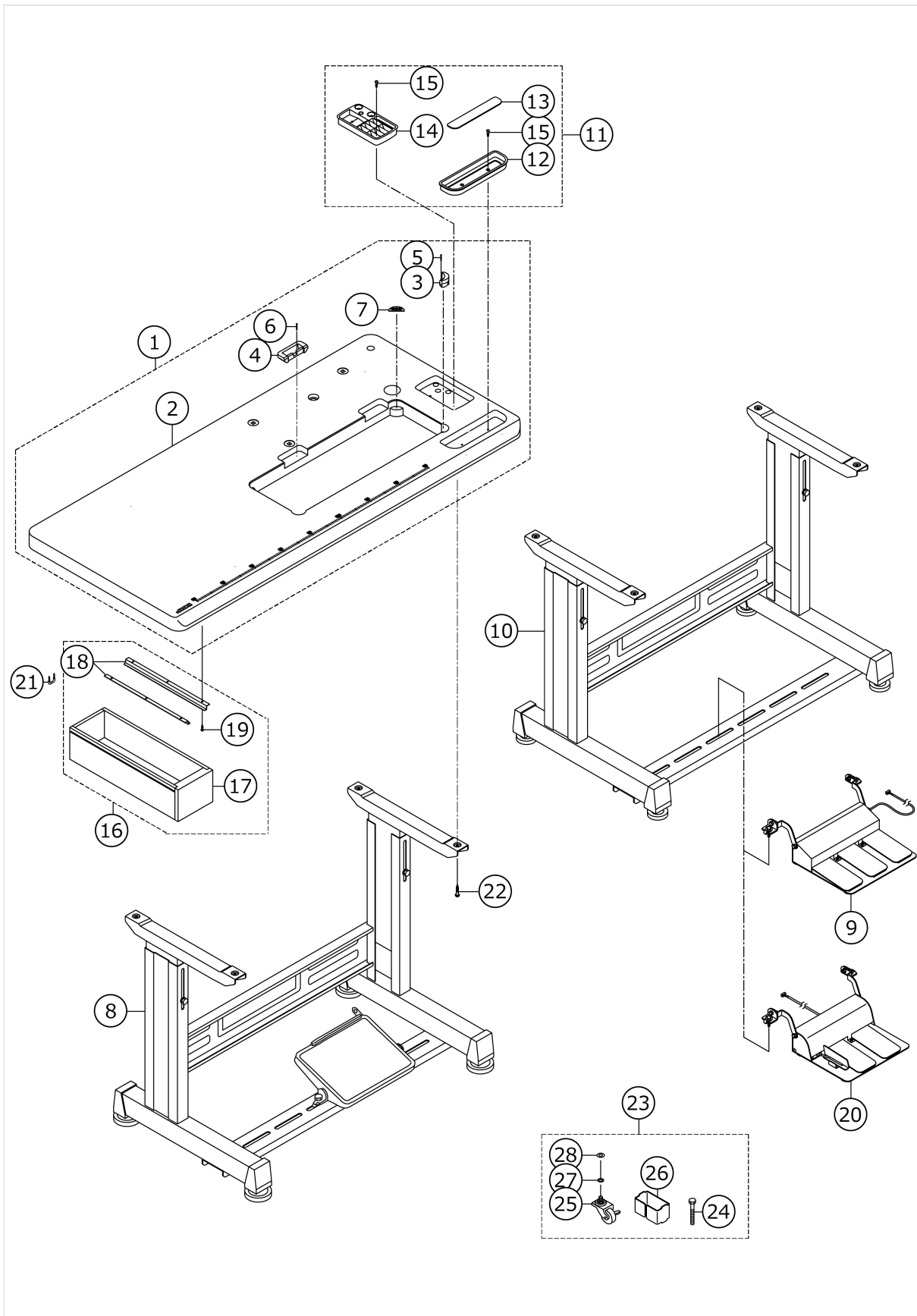
No.	品番	品名	備考	子部品	消耗品	個数
1	11001906	THROAT PLATE K	FOR DDL-9000B-MA EE			1.00
2	11162104	SPRING	FOR DDL-9000B-MA			1.00
3	MDB100B1100	NEEDLE DBX1 #11	FOR DDL-9000B-MA GG			1.00
4	D1613155W00	FEED DOG W	FOR DDL-9000B-MA EE			1.00
5	D1524555DBB	PRESSER FOOT ASM.	FOR DDL-9000B-MA AA,BB,EE			1.00
6	MDB100B0900	NEEDLE DBX1 #9	FOR DDL-9000B-MA AA,EE			1.00
7	MC200500650	NEEDLE 134 NM65	FOR DDL-9000B-MA BB			1.00
8	40141843	REGULATOR PIN DIAL 4	FOR DDL-9000B-MA			1.00
9	40037439	THREAD TAKE UP COMP. A	FOR DDL-9000B-MA			1.00
10	40037479	THREAD TENSION DISK ASM. A	FOR DDL-9000B-MA			1.00
11	23626005	THREAD TENSION NUT		*		1.00
12	B3132552000	THREAD TENSION DISK PRESSER		*		1.00
13	B3126012000	THREAD TENSION DISK		*		2.00
14	40024845	TENSION POST SOCKET ASM.		*		1.00
15	B3115552000	TENSION POST		*		1.00
16	B3120125000	ROTATING STOPPER		*		1.00
17	D3129555D00	THREAD TENSION SPRING		*		1.00
18	D3128555D00	TAKE-UP SPRING		*		1.00
19	SS8090670SP	SCREW 9/64-40 L=5.5		*		1.00
20	40086605	NEEDLE_BAR_LOWER_METAL_MD				1.00
21	SM4050501SC	SCREW M5X0.8 L=5				1.00
22	40086604	NEEDLE_BAR_D_(B)	FOR DDL-9000B-MS MA,BB			1.00
23	40086602	NEEDLE_BAR_D_(A)	FOR DDL-9000B-MS MA,AA,EE,GG			1.00
24	40000264	BOBBIN CASE ASM.	FOR DDL-9000B-MA			1.00
25	40006323	JUKI GREASE A TUBE	OPTIONAL PARTS			1.00
26	23629306	PIPE STOPPER A				1.00
27	40042086	CAP				1.00
28	11038759	BOBBIN CASE ASM.	FOR DDL-9000B-MS			1.00
29	23630007	TUBE				0.07

EXCLUSIVE PARTS DDL-9000B SH



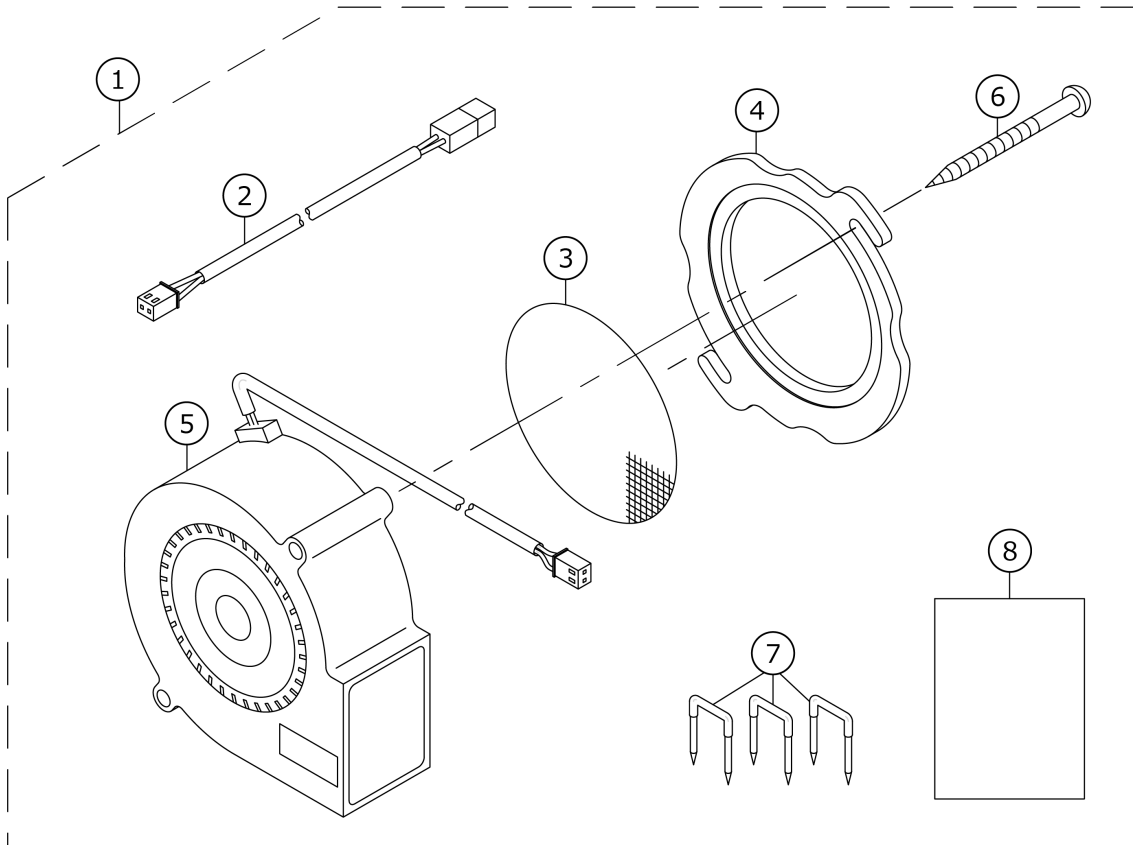
No.	品番	品名	備考	子部品	消耗品	個数
1	40089605	THROAT_PLATE_J	FOR AA,BB,EE			1.00
2	40107708	NEEDLE_BAR_METAL_LOWER_H				1.00
3	40061767	NEEDLE BAR H				1.00
4	MDB100B2100	NEEDLE DBX1 #21	FOR AA,GG,EE			1.00
5	B9117012000	BOBBIN				1.00
6	B1505552000A	PRESSER SPRING				1.00
7	D1524555EBL	PRESSER FOOT ASM.	FOR AA,BB,EE			1.00
8	40064839	PRESSER FOOT ASM.				1.00
9	40089610	INNER_HOOK HOLDER_H				1.00
10	11092251	LUBRICATING HOOK ASM.				1.00
11	40055604	THREAD TAKE UP COMP. H				1.00
12	40050587	KNIFE UNIT H				1.00
13	11095502	KNIFE MOUNT BASE		*		1.00
14	40044190	THREAD_GUIDE_FOR_KNIFE H		*		1.00
15	11409257	MOVING KNIFE J ASM.		*		1.00
16	40009894	FORKED BASE FOR KNIFE		*		1.00
17	40050589	FIX KNIFE H		*		1.00
18	SD0460703TP	HINGE SCREW D=4.6 H=7		*		1.00
19	SD0500131TP	HINGE SCREW D=5 H=1.25		*		1.00
20	SS2060210SP	SCREW 3/32-56 L=2.3		*		1.00
21	SS4080620TP	SCREW 1/8-44 L=6				2.00
22	40000264	BOBBIN CASE ASM.				1.00
23	40037313	THREAD TENSION DISK ASM. H				1.00
24	23626005	THREAD TENSION NUT		*		1.00
25	B3115552000	TENSION POST		*		1.00
26	B3120125000	ROTATING STOPPER		*		1.00
27	B3126012000	THREAD TENSION DISK		*		2.00
28	B3128012000	TAKE-UP SPRING		*		1.00
29	B3132552000	THREAD TENSION DISK PRESSER		*		1.00
30	40024845	TENSION POST SOCKET ASM.		*		1.00
31	B3114232000	THREAD TENSION SPRING		*		1.00
32	SS8090670SP	SCREW 9/64-40 L=5.5		*		1.00
33	J1063000000	WRENCH	OPTIONAL PARTS			1.00
34	40024124	NEEDLE BAR THREAD GUIDE				1.00
35	23619059	VERTICAL FEED CAM H ASM.				1.00
36	23619000	VERTICAL FEED CAM H		*		1.00
37	SS8151150TP	SCREW 15/64-28 L=10.5		*		2.00
38	40055058	ASSY COUNTER WEIGHT H				1.00
39	40053411	COUNTER WEIGHT H		*		1.00
40	40004171	COUNTER_WEIGHT_SCREW		*		1.00
41	SM8081652TP	SCREW M8 L=16		*		1.00
42	SM80606A2TP	SCREW M6 L=6		*		2.00
43	40069369	VERTICAL FEED CAM ASM. 2.0	OPTIONAL PARTS			1.00
44	40069370	VERTICAL FEED CAM 2.0		*		1.00
45	SS8151150TP	SCREW 15/64-28 L=10.5		*		2.00
46	40063697	ARM THREAD GUIDE A H				1.00
47	11062601	FEED DOG	FOR GG			1.00
48	11062007	THROAT PLATE A	FOR GG			1.00
49	11403003	FEED J	FOR AA,BB,EE			1.00

TABLE & STAND COMPONENTS



No.	品番	品名	備考	子部品	消耗品	個数
1	23642259	TABLE ASM.				1.00
2	23642200	TABLE		*		1.00
3	11075900	RUBBER SPACER		*		2.00
4	11075801	RUBBER SPACER		*		2.00
5	B8210012000	CUSHION SET NAIL		*		4.00
6	B8210012000	CUSHION SET NAIL		*		4.00
7	D8226555E00	FRAME RUBBER CUSHION A		*		2.00
8	11157567	T LEG JUNCTION	FOR JT-D950			1.00
9	GPK700010A0	3-JOINT PEDAL 70	FOR JT-D95A,-D95B			1.00
10	11157559	T-STAND ASM.	FOR JT-D95A,-D95B			1.00
11	11155769	SMALL CASTINGS BOX B ASM.				1.00
12	11156007	CASE		*		1.00
13	11155801	CASE MAGNET		*		1.00
14	11155751	CASE ASM. B		*		1.00
15	SK3382001SC	WOOD SCREW D=3.8 L=20		*		4.00
16	11155157	DRAWER ASM.				1.00
17	11155108	DRAWER		*		1.00
18	11155207	DRAWER SUPPORT		*		2.00
19	SK3311600SE	WOOD SCREW D=3.1 L=16		*		6.00
20	GPK710010A0	2-PEDAL ASM. 71	FOR JT-D95A,-D95B			1.00
21	D8204555D00	DRAWER STOPPER				1.00
22	SK3513200SC	WOOD SCREW D=5.1 L=32				4.00
23	11159456	CASTER ASM.	OPTIONAL PARTS			1.00
24	SM9086523SE	HEXAGONAL BOLT		*		2.00
25	11159407	CASTER		*		4.00
26	11159506	STRUT AUXILIARY PLATE		*		2.00
27	WS0861410KR	SPRING WASHER 8.6X15X1.4		*		2.00
28	WP0871602SE	WASHER 8.7X18X1.6		*		2.00

SPECIAL ORDER PART



No.	品番	品名	備考	子部品	消耗品	個数
1	40065571	ELECTRIC FAN HOOK COOLING DEVICE				1.00
2	40044065	FAN_RELAY_CABLE		*		1.00
3	40064805	FAN FILTER		*		1.00
4	40064806	FAN COOLING COVER		*		1.00
5	40065564	FAN MOTOR ASSY		*		1.00
6	SK3415001SE	SCREW D=4.1 L=50		*		2.00
7	MAO11532000	CORD STAPLE		*		3.00
8	40065572	HOOK COOLING DEVICE INSTRUCTION MANUAL		*		1.00

LIST FOR INFORMATION OF CHANGE (1)

As to the place changed, refer to the corresponding Rev.No.
 When previous parts(Obsoleted part)and new parts(Added parts)are
 not interchangeable with each other:
 In this case,even obsoleted parts(D.)can be ordered with the
 obsoleted part number,so select the parts with changed dates and
 place your orders.

変更箇所は,該当Rev.No.版をご参照ください。

部品の互換性がない変更の場合は,削除された品番でも,ご注文できます。

No.1532-04・・・Rev.No.

*A:Added parts追加部品/D:Obsoleted parts削除部品/E:Erratum訂正

* Rev. No.	Page 頁	Ref. No.	Parts No. 品番	* Rev. No.	Page 頁	Ref. No.	Parts No. 品番
D 03	6	2	400-37003	A 04	6	2	401-35904
D 03	6	3	400-25729	A 04	6	3	401-35916
D 03	6	7	400-86733	A 04	6	7	401-50011
D 03	6	8	SB-1200027-00				
D 03	6	9	400-44857				
D 03	6	10	236-05207				
D 03	6	18	400-20454	A 04	6	18	401-36292
D 03	6	19	400-20455	A 04	6	19	401-36293
D 03	6	20	SM-8051610-SP	A 04	6	20	SM-80506A2-TP
D 03	6	22	400-86729	A 04	6	22	401-41440
D 03	6	26	401-07708	A 04	6	26	401-07707
D 03	6	37	400-37370	A 04	6	37	401-35900
D 03	6	38	400-90527				
D 03	6	41	SB-3070002-00				
D 03	6	42	SB-3070002-0A				
D 03	6	43	SB-3070002-0B				
D 03	6	44	SB-3070002-0C				
D 03	6	45	SB-3070002-0D				
D 03	6	51	400-90529				
D 03	6	52	400-90528				
D 03	6	53	228-91204				
D 03	6	55	RE-0600000-K0				
				A 04	6	38	401-35905
				A 04	6	39	401-41165
				A 04	6	40	401-35906
				A 04	6	41	401-43184
				A 04	6	42	401-35907
				A 04	6	43	RE-0300000-K0
D 03	8	1	236-09001	A 04	8	1	401-36700
D 03	10	31	401-41839	A 04	10	31	401-61440
D 03	10	44	401-41837	A 04	10	44	401-61441
D 03	12	35	SS-6110650-TP	A 04	12	35	SS-6110710-TP
D 03	12	58	236-20206	A 04	12	58	401-45927
D 03	12	67	D1837-555-BAA-A	A 04	12	67	110-38759
D 03	12	81	400-86730	A 04	12	81	401-41443
D 03	14	15	SS-6090510-TP	A 04	14	15	SS-6090670-TP

HOW TO MAKE USE OF THIS PARTS LIST

1.Explanation of codes

- 1)"*"mark.....means this part is changed from the previous parts book.
As to the details of the change, refer to the "List for information of change".
- 2)"#01".....refer to "Note" explanation at bottom of page.

2.Codes on the "Qty" column

- Each numeral indicates the number of parts required.
- "0.1" and "2.5" indicate the length (in meters) of the respective parts.

3.Parentheses mean that the corresponding part is a subpart that constructs an assembly part.

4.Dotted lines on the Figures indicate assembly parts.

5.As to the parts with marks of "☆"(consumable parts) and "◎"(optional parts)on the respective parts, it is recommended to prepare spares.

Sign	Place of destination
GG	China
BB	Europe
EE	Japan
AA	excludes China,Europe and Japan

1 ."注記"欄の記号説明

- 1) "*"印.....前回のパーツブックに比較して今回変更された部品を意味します。
変更内容は、"変更情報リスト"を参照してください。
- 2) "#01".....ページ下の"注記"の説明を参照してください。

2 .数量欄の数字は、個数を表し、0.1、2.5等の数値は、長さ（単位メートル）を表します。

3 .数量欄の（ ）は、組部品を構成している子部品であることを意味します。

4 .イラストページの-----枠は、組構成であることを意味します。

5 .リストページの"☆"（消耗部品）、"◎"（オプション部品）の印がついた部品は、予備を準備しておくことをお奨めします。

記号	仕向地
GG	中国
BB	ヨーロッパ
EE	日本
AA	中国、ヨーロッパ、日本を除く